

## 产品规格书

PRODUCT SPECIFICATION SHEET

物料名称

APPELLATION: A11 无线发射单线圈模组

产品型号

MODE: YX-A11-R500800-G0845

客户料号

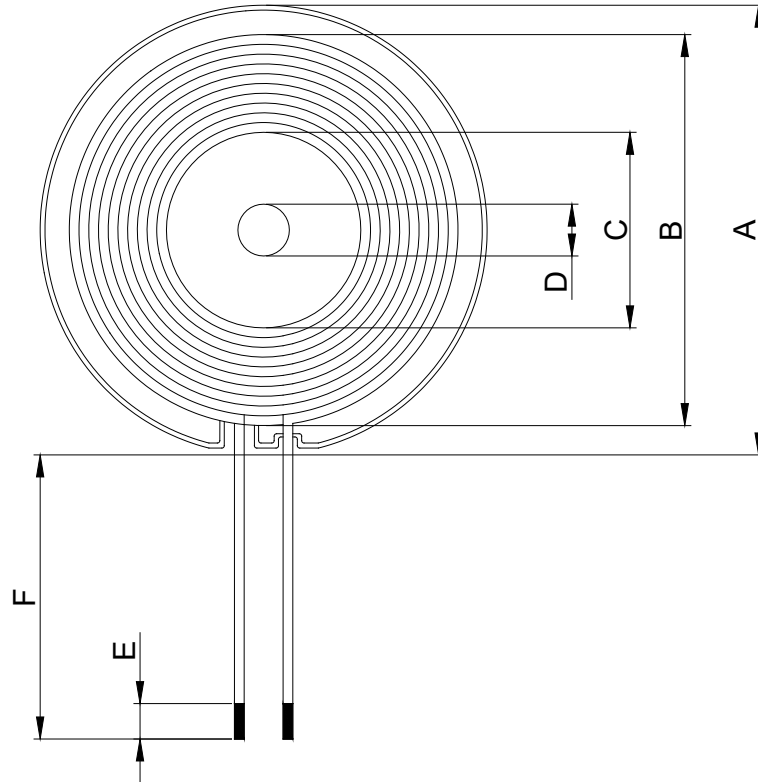
No.: \_\_\_\_\_

生 产 方	工艺审核 TECHNICAL	品质审核 QUALITY	项目审核 PROJECT	开发审核 DEVELOPING
	Jiuguijiang	wangshengli	wangchunxia	Jiuguijiang

客 户 方	材料工程师 Materials Engineer	设计工程师 Engineer	主管审批 Approval	研发体系 R & D System



## 1. DIMENSIONS & MARKING:



Symbol	A	B	C	D	E	F
Value(mm)	50.00MAX	40.00MAX	20.50	5.30	2.50±1.00	45.00±3.00

## 2. ELECTRICAL SPECIFICATIONS @25°C

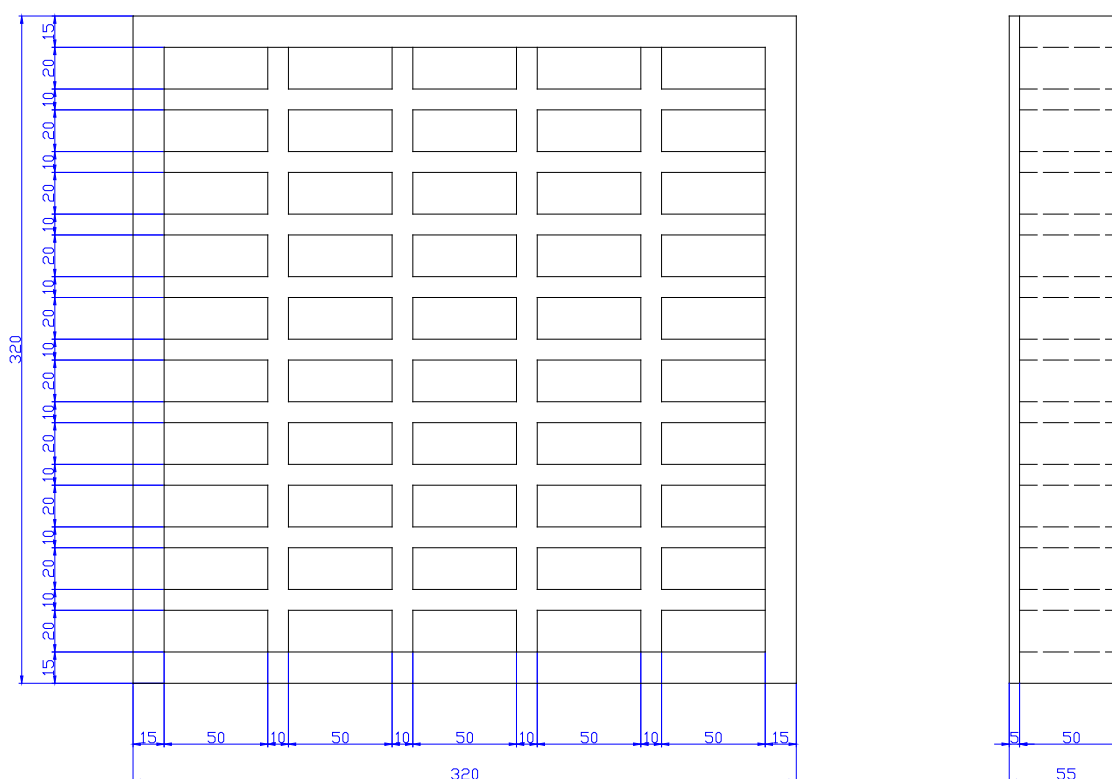
- 2.1 Operating Temperature range: -40°C~+85°C
- 2.2 Storage temperature range: -25°C TO +125°C
- 2.3 The test frequency: 100 KHz, 100mV @ 25°C,65%
- 2.4 OCL :  $6.30 \pm 5\% \mu\text{H}$  .
- 2.5 Diameter : 0.08mm\*105P
- 2.5 Turns Ratio: 10T

DRAWN BY:	CHECKED BY:	APPROVED BY:	CUSTOMER:
jiuguijiang	jiuguijiang	wangchunxia	PART NO. : YX-A11-R500853-G0845

### 3、 Bill of materials:

序号	物料名称	物料规格	材料使用	备注
1	丝包线	0.07mm*105P	√	
2	自粘线	0.07mm*105P		
3	磁片	G50.0*5.3*1.0mm 切割	√	
4	高温胶带	8.00*0.05mm	√	
5	背胶贴	T 45.0*5.5mm		
6	胶水	环保水性胶	√	
7	锡条	Sn97.3-0.7Cu	√	

### 4、 Packaging:



- 4.1 Quantity per grid: 6 PCS
- 4.2 Quantity per carton: 6\*50 = 300PCS
- 4.3 Quantity per carton: 300\*3 = 900PCS
- 4.4 Carton size: 350\*350\*180mm.

DRAWN BY:	CHECKED BY:	APPROVED BY:	CUSTOMER:
jiugujiang	jiugujiang	wangchunxia	PART NO. : YX-A11-R500853-G0845