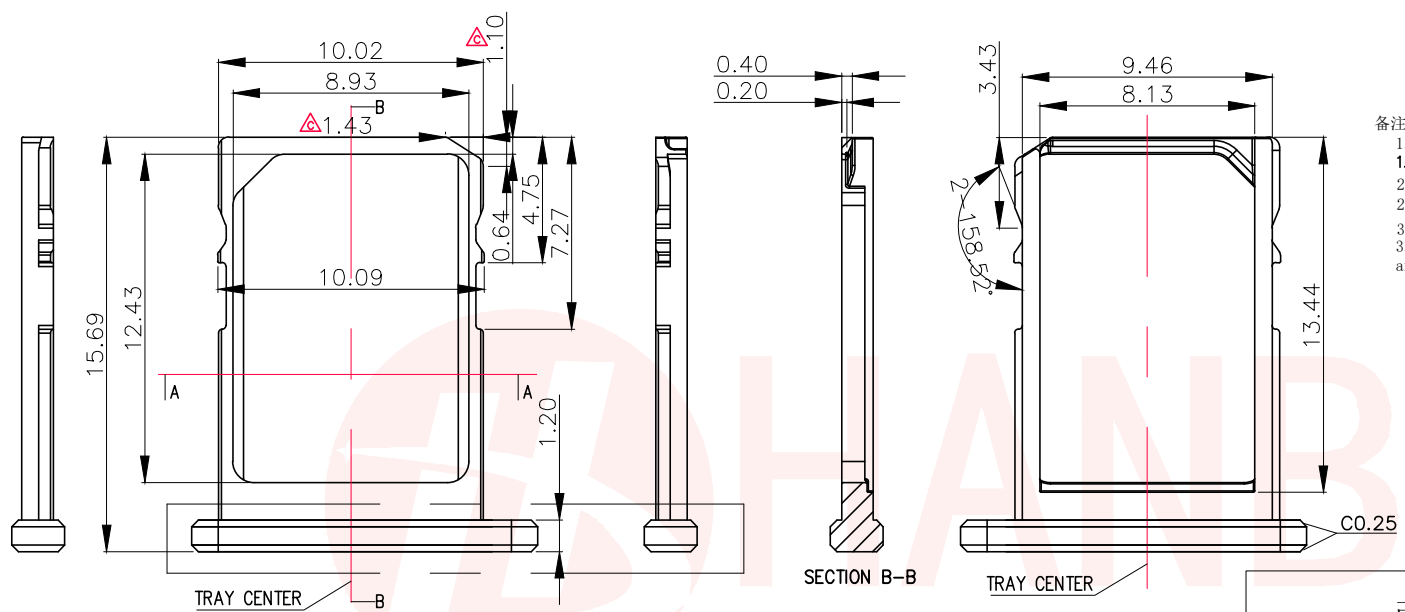
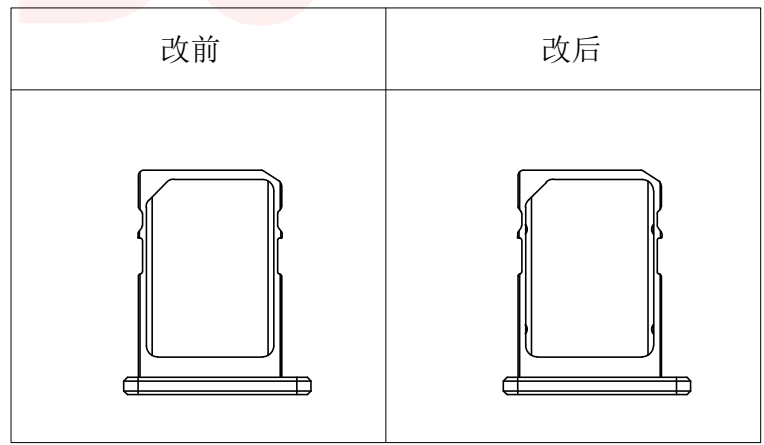
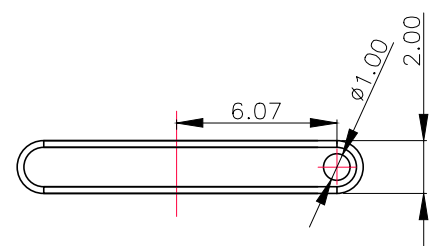
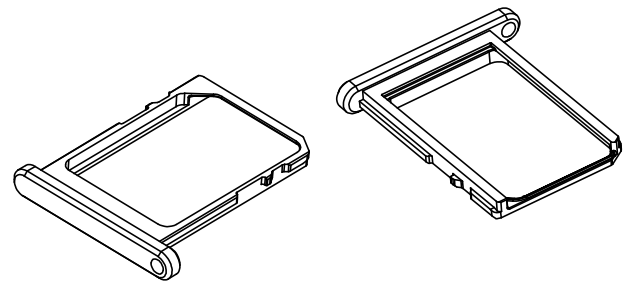
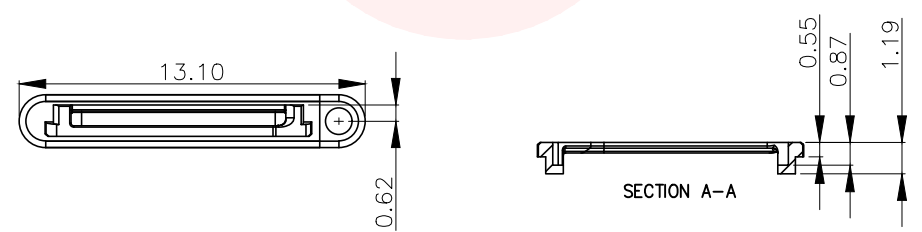




REV.	ECN NO OR DESCRIPTION	REVISED	DATE



备注note:
 1. 材 料: 3号锌合金(Zamak3)
 1. Material: No. 3, zinc alloy (Zamak3)
 2. 加工工艺: 压铸成型, SIM接触面局部绝缘处理.
 2. Process: Die casting molding, SIM contact local insulation treatment.
 3. 外观处理: 产品全周无毛刺, 外观无划伤、压痕、油污、裂痕、扭曲变形等不良.
 3. Appearance: Product the week without burr, appearance no scratch and indentation, The oil bad distortion, cracks, deformation, etc.



UNLESS OTHERWISE SPECIFIED TOLERANCES		东莞市汉博电子科技有限公司 DONGGUAN HANBO TECHNOLOGY CO., LTD		
DECIMALS:	ANGLES:	TITLE	NANO SIM TRAY (有孔) 1.5H亮镍	
X : ±0.35	X : ±2°	DWN	xiong	PART NO. SNO-1355-KT
X.X : ±0.20	X.X : ±1°	CHKD	lee	SCALE:1:1 UNIT: mm
X.XX : ±0.10		APVD	wang	SIZE: A4 SHEET:10F 1 REV: A4
CUSTOMER COPY				