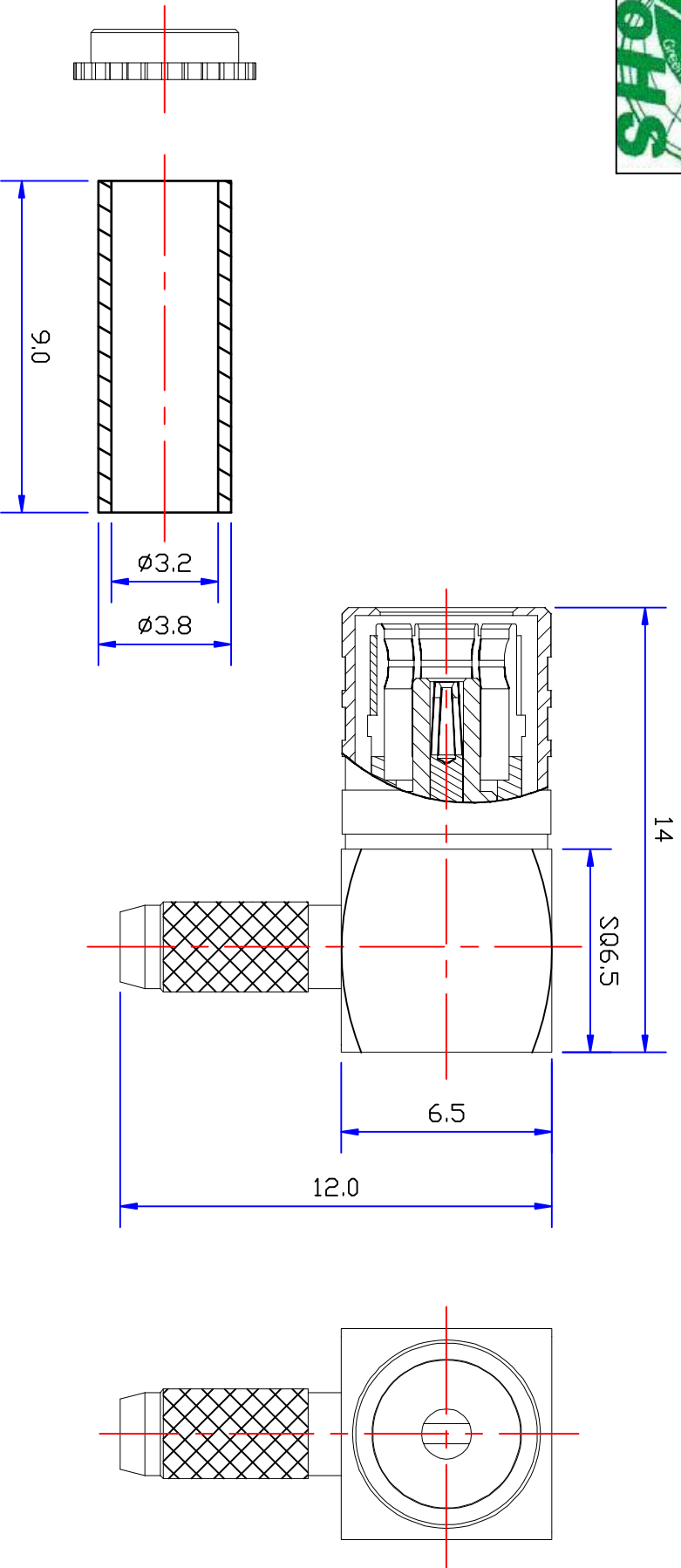




Product NO.		DOSIN-807-0020	
REV	DESCRIPTION	DWN	DATE
A	First Issue	Mr. Kang	2015/08/04
B			APPROVEN
			John Kline



1	FERRULE	BRASS	GOLD PLATED
1	COVER	BRASS	GOLD PLATED
1	CONTACT	BERYLLIUM COPPER	GOLD PLATED
1	BODY	BRASS	GOLD PLATED
1	BODY	BRASS	GOLD PLATED
1	SLEEVE	BRASS	GOLD PLATED
1	INSULATOR	TEFLON	NONE
1	RETAINING RING	SUS-304	NONE
QTY	DESCRIPTION	MATERIAL	FINISH

NOTE:

DRAWN
Zel in. Zhang

CHECKED

APPROVALS
John Kline

Tolerance

0-6 ±0.15
6-30 ±0.20
30-120 ±0.30
Angular ±5°



Name:

SMB R/A PLUG FOR RG174 CABLE

DOSIN
东莞市德森五金电子有限公司
Dosing Hardware Electronics Co., Ltd
E-mail: dosin2006@163.com
dosin2006@dosin-dhina.com
Web: http://www.dosin.com
TEL: (0086) 769-81153906
FAX: (0086) 769-81878836

SIZE A Product NO.

DOSIN-807-0020

Date/Time
2015/08/04

CAD FILE
H/company drawings/BD

SHEET: 1 OF 1