

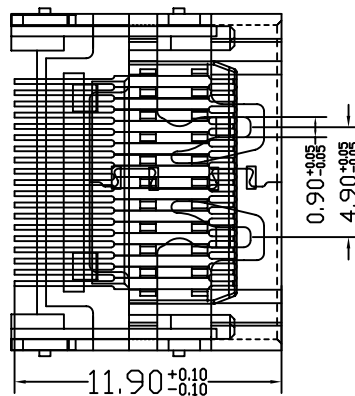
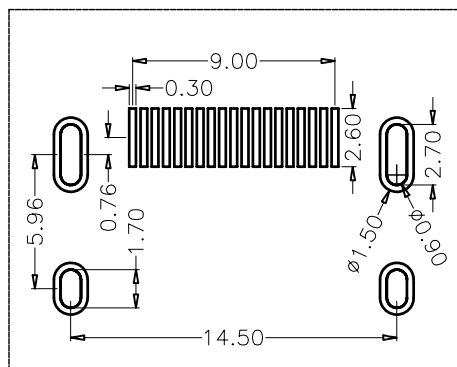
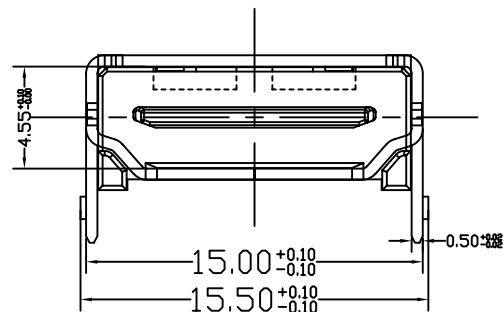
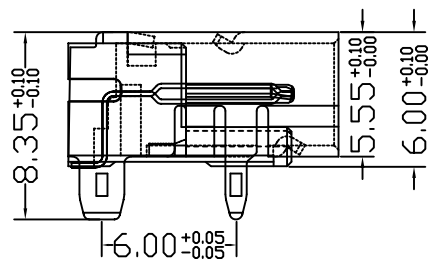
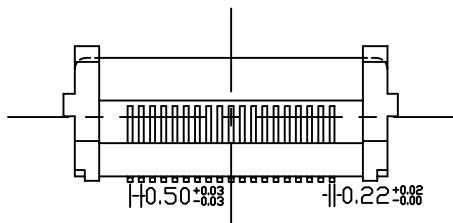
NOTE:

1. MATERIAL:

- a. HOUSING: PBT GLASS FIBRE UL94 V-0
- b. CONTACT: PHOSPHOR BRONZE T=0.25mm
(SURFACE PLATING: Au1u" + Sn100u" + Ni60u")
- c. SHEEL: BRASS T=0.30mm
(SURFACE PLATING: Ni100u" ~ 120u")

2. ELECTRIC:

- a. CONTACT RESISTANCE: 30 MILLIOHMS MAX
- b. INSULATION RESISTANCE: 1000 MEGA OHMS MIN
- c. DIELECTRIC VOLTAGE: 500V AC ONE SEC LEVEL
- d. OPERATING TEMPERATURE: -55° / 105°



深圳市华宇创精密电子有限公司

TOLERANCE:

X.X ±0.30
X.XX ±0.25
X.XXX ±0.15
X.' ±2' X.X' ±0.5'

UNIT: mm [inch]
SCALE: 1:1 SIZE: A4

DRAWN BY:

陈一鸣

CHECKED BY:

马跃

APPROVED BY:

邱国夷

DATE:

2014-02-23

DATE:

2014-02-23

DATE:

2014-02-23

PART NAME:

HDMI A TYPE SMT TYPE带卡点

PART NO.

HVC10-HDMI A19-600

MOLD NO.

DRAW NO:

HVC-HDMI13082302

SHEET NO.

1 OF 1