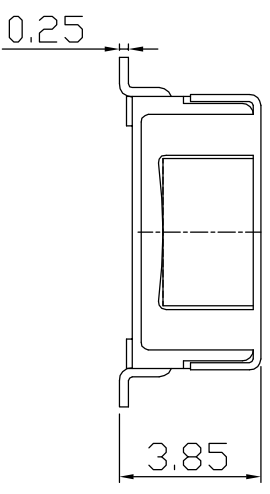
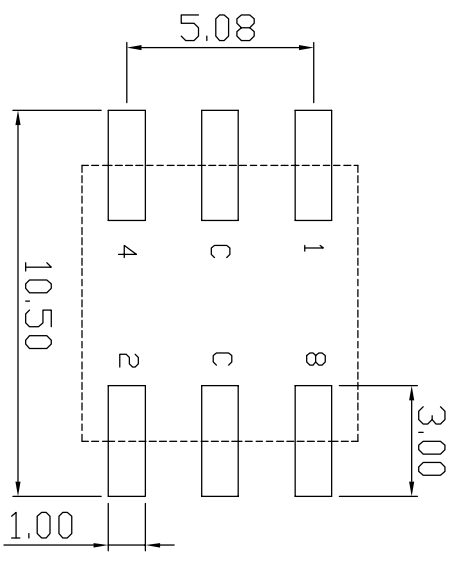
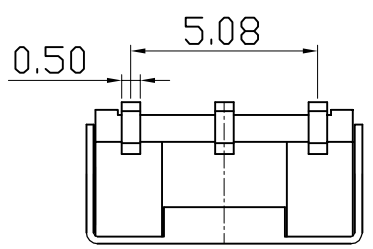
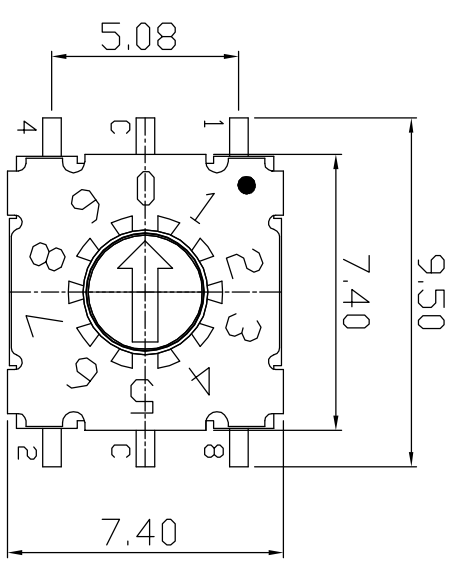


HRK	DATE	REMARKS
Δ		
Δ		



SPECIFICATION

1. Operating Voltage : 42v
(None-Switching: 400mA)
(Switching : 100mA)
2. Contact Resistance : 80mΩ Max
3. Insulation Resistance : 100MΩ Min
4. Operating Force : 120gf ±30gf Max
5. Life cycle : 25,000 steps

	Real Coded				
	C	1	2	4	8
0	●				
1	●	●			
2	●		●		
3	●			●	
4	●				●
5	●	●			
6	●		●		
7	●			●	
8	●				●
9	●	●			

APPD	CHKD	D'SGD	TITLE
K.L LEE	J.P ROH	H.S LEE	MINI ROTARY DIP SWITCH
MODEL NO.			REV
MADR-10S			A
SUNGJUN ELECTRONICS CO., LTD.			