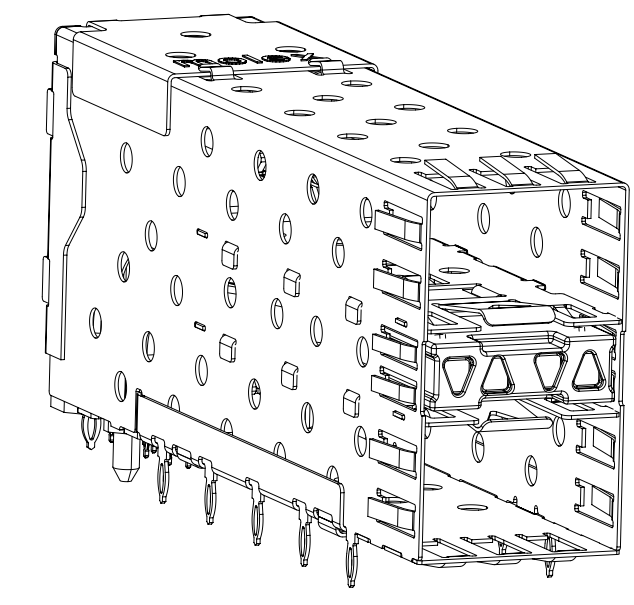
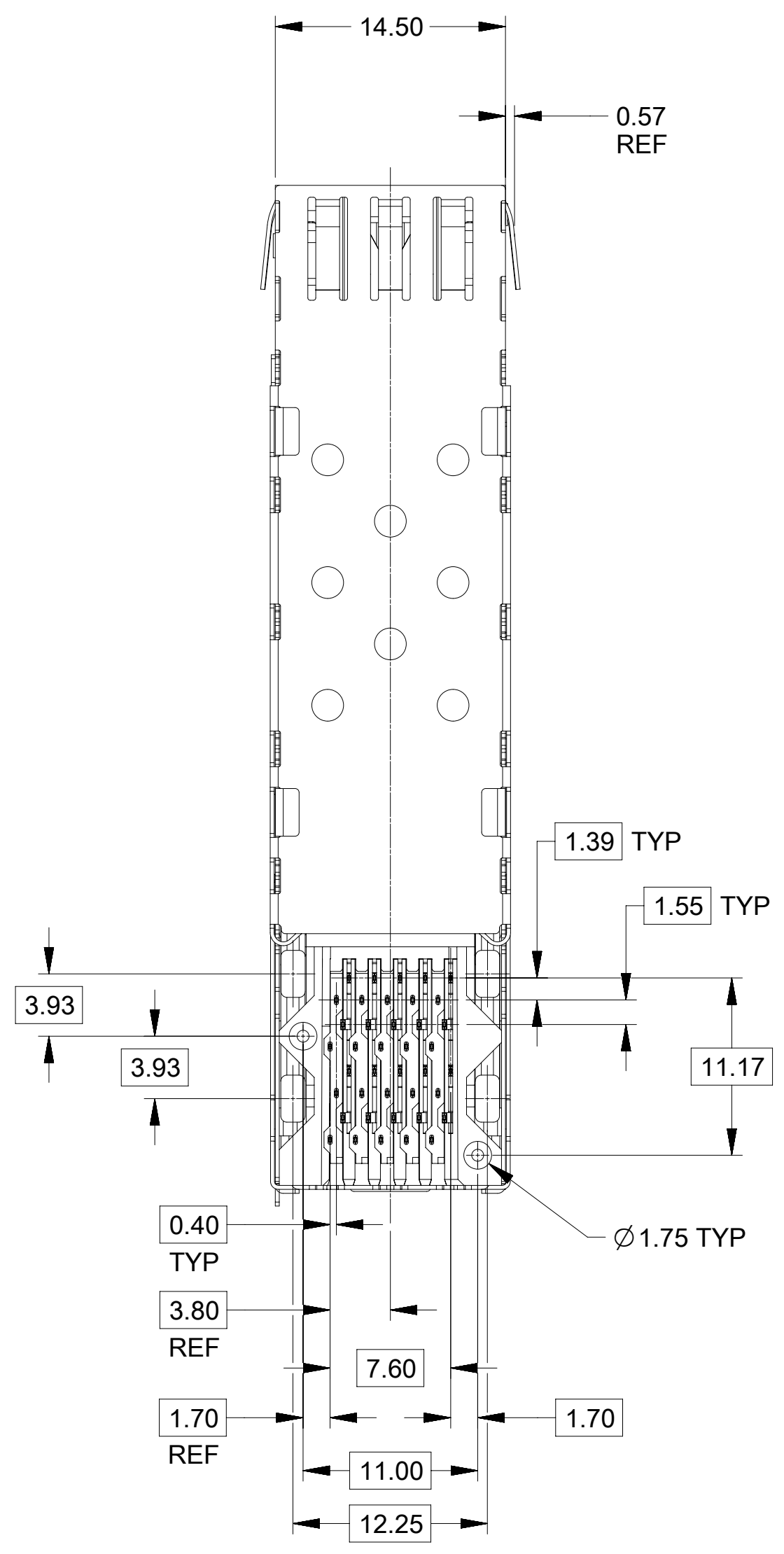


NOTES

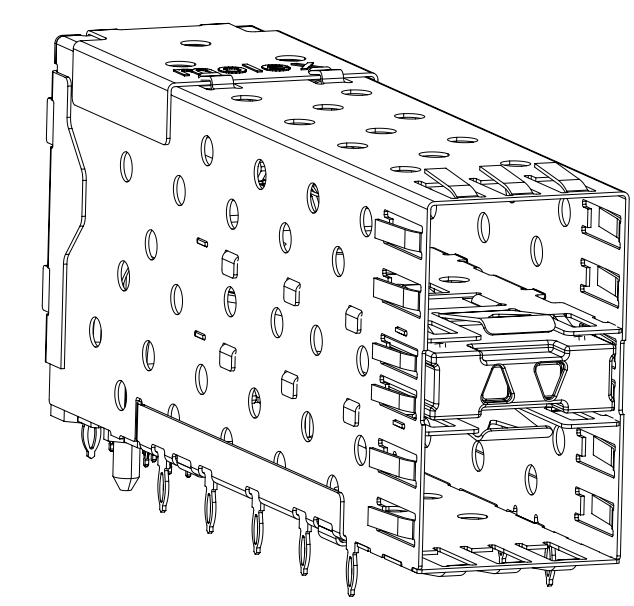
- MATERIAL:**
 CAGE: NICKEL SILVER, THICKNESS: 0.25mm
 CONNECTOR HOUSING: GLASS FILLED LIQUID CRYSTAL POLYMER (LCP), UL 94V-0, COLOR: BLACK
 OVERMOLD TERMINAL HOUSING: GLASS FILLED LIQUID CRYSTAL POLYMER (LCP), UL 94V-0, COLOR: BLACK
 TERMINALS: TIN BRASS
 LIGHTPIPE HOUSING: ZINC
 LIGHTPIPES: POLYCARBONATE, COLOR: CLEAR
- FINISHES:**
 TERMINALS: CONTACT AREA: 0.76 MICROMETERS MINIMUM HARD GOLD OVER 1.27 MICROMETERS MINIMUM NICKEL.
 COMPLIANT TAIL - MATTE TIN/LEAD OPTION: 0.76 TO 1.52 MICROMETERS 90/10 MATTE TIN-LEAD OVER 0.76 MICROMETERS MINIMUM NICKEL.
 COMPLIANT TAIL - MATTE TIN OPTION: 0.76 TO 1.52 MICROMETERS MATTE TIN OVER 0.76 MICROMETERS MINIMUM NICKEL.
 LIGHTPIPE HOUSING: 80 MICROMETERS MINIMUM NICKEL OVER COPPER
- REFER TO PS-75310-001 PRODUCT SPEC FOR ALL ELECTRICAL, MECHANICAL, AND ENVIRONMENTAL SPECIFICATIONS.
- LIGHTPIPE PAD LAYOUT IS FOR 0805 LOW-PROFILE LED PACKAGE, FOR OTHER RECOMMENDED LAYOUTS REFER TO MOLEX'S REPORT TS-75310-001.
- REFER TO PK-75462-001 FOR ALL PACKAGING SPECIFICATIONS.
- PART COMPLIES WITH COSMETIC SPECIFICATION PS-45499-002. SEE SHEET 4 SECTION Z-Z FOR SURFACE CLASSIFICATIONS. UNDERSIDE OF CAGE COMPLIES WITH CLASS "C".
- DATE CODE LOCATION IS SHOWN ABOVE.
 DATE CODE FORMAT: DDDY MX A1
 DDD = DAY OF THE YEAR
 Y = YEAR
 MX = MOLEX
 A = ALPHA CHARACTER - INDICATES MANUFACTURING LINE
 1 = NUMERIC CHARACTER - INDICATES PRODUCTION SHIFT

PART NUMBER	DESCRIPTION	VIEW	COMPLIANT TAIL PLATING
75640-0001	4 PORT LIGHT PIPE	SEE PG 2	TIN LEAD
75640-0002	INNER 2 PORTS	SEE PG 2	TIN LEAD
75640-0003	OUTER 2 PORTS	SEE PG 2	TIN LEAD
75640-5001	4 PORT LIGHT PIPE	SEE PG 2	TIN
75640-5002	INNER 2 PORTS	SEE PG 2	TIN
75640-5003	OUTER 2 PORTS	SEE PG 2	TIN

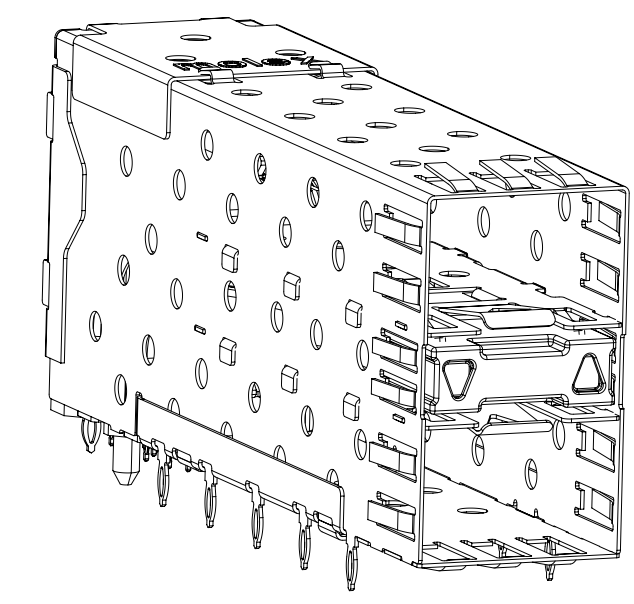
SYMBOLS				THIS DRAWING CONTAINS INFORMATION THAT IS PROPRIETARY TO MOLEX ELECTRONIC TECHNOLOGIES, LLC AND SHOULD NOT BE USED WITHOUT WRITTEN PERMISSION					
▽ = 0	mm	3:1	CURRENT REV DESC: UPDATE TO NEW TAILS						
▽ = 0	GENERAL TOLERANCES (UNLESS SPECIFIED)		EC NO: 600319						
▽ = 0	ANGULAR TOL ± 5.0°		DRWN: SVANG01 2018/06/04						
▽ = 0	4 PLACES ±		CHK'D: RWHIPPLE 2018/06/05						
▽ = 0	3 PLACES ±		APPR: CHIRSCHY 2018/06/05						
▽ = 0	2 PLACES ± 0.13		INITIAL REVISION:						
▽ = 0	1 PLACE ± 0.25		DRWN: JLONG 2004/10/21						
▽ = 0	0 PLACES ±		APPR: RNELSON 2004/10/28						
▽ = 0	DRAFT WHERE APPLICABLE MUST REMAIN WITHIN DIMENSIONS		THIRD ANGLE PROJECTION	DRAWING	SERIES	DOCUMENT NUMBER	DOC TYPE	DOC PART	REVISION
				C-SIZE	75640	SD-75640-001	PSD	001	H
			GENERAL MARKET		SHEET NUMBER 1 OF 4				



756400001 & 756405001
WITH 4 LIGHT PIPE PORTS

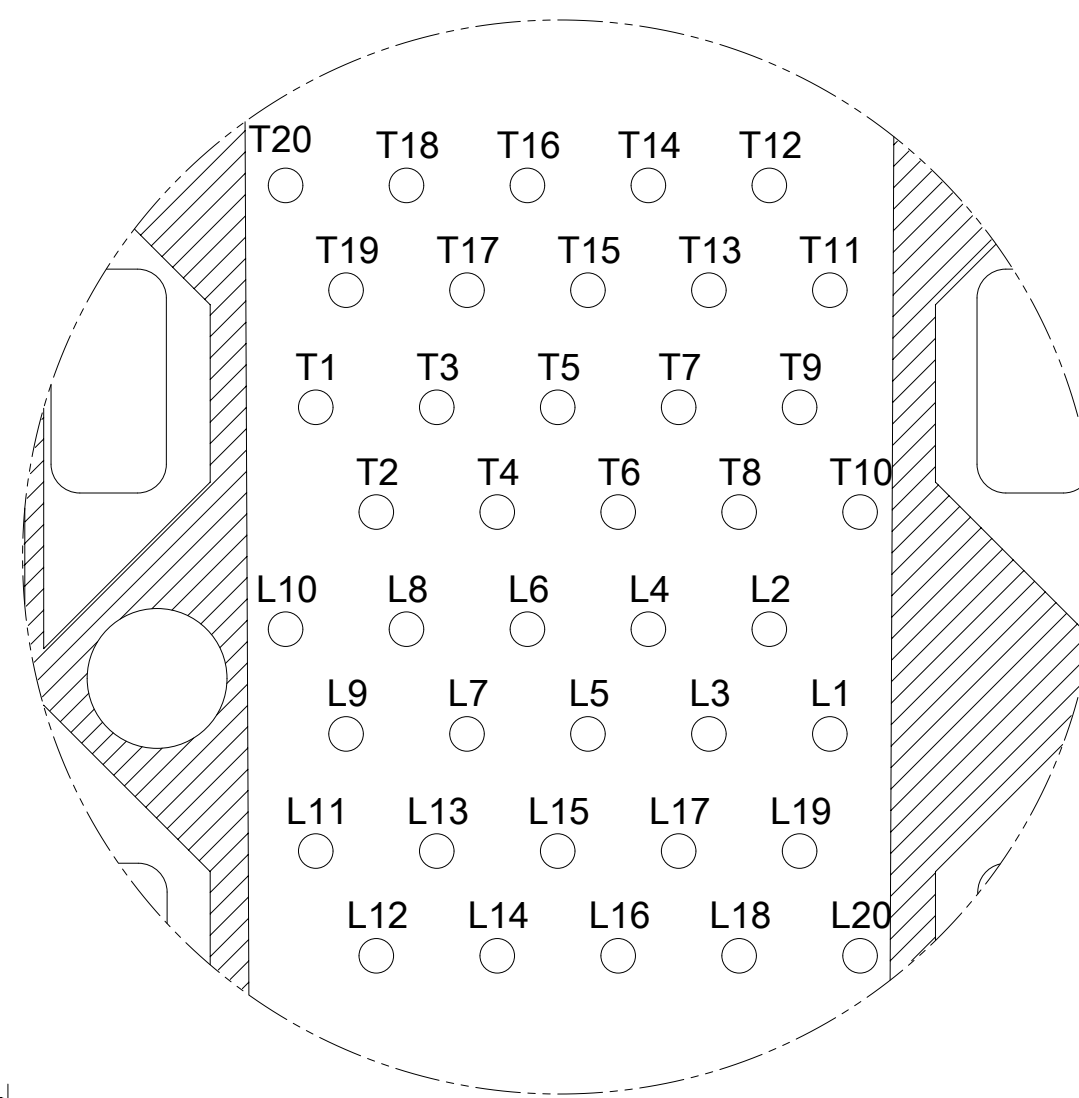


756400002 & 756405002
WITH INNER LIGHT PIPE PORTS

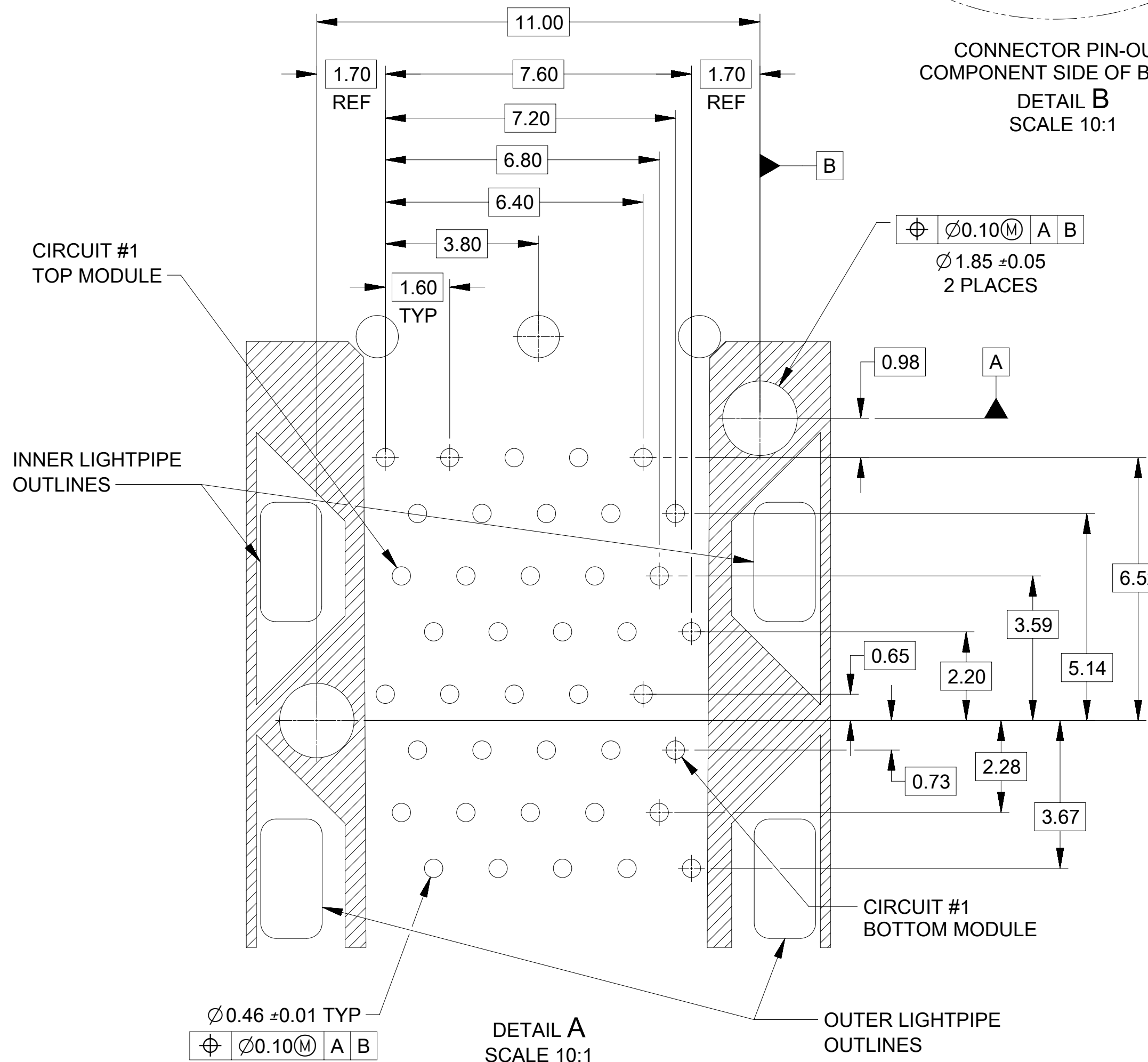


756400003 & 756405003
WITH OUTER LIGHT PIPE PORTS

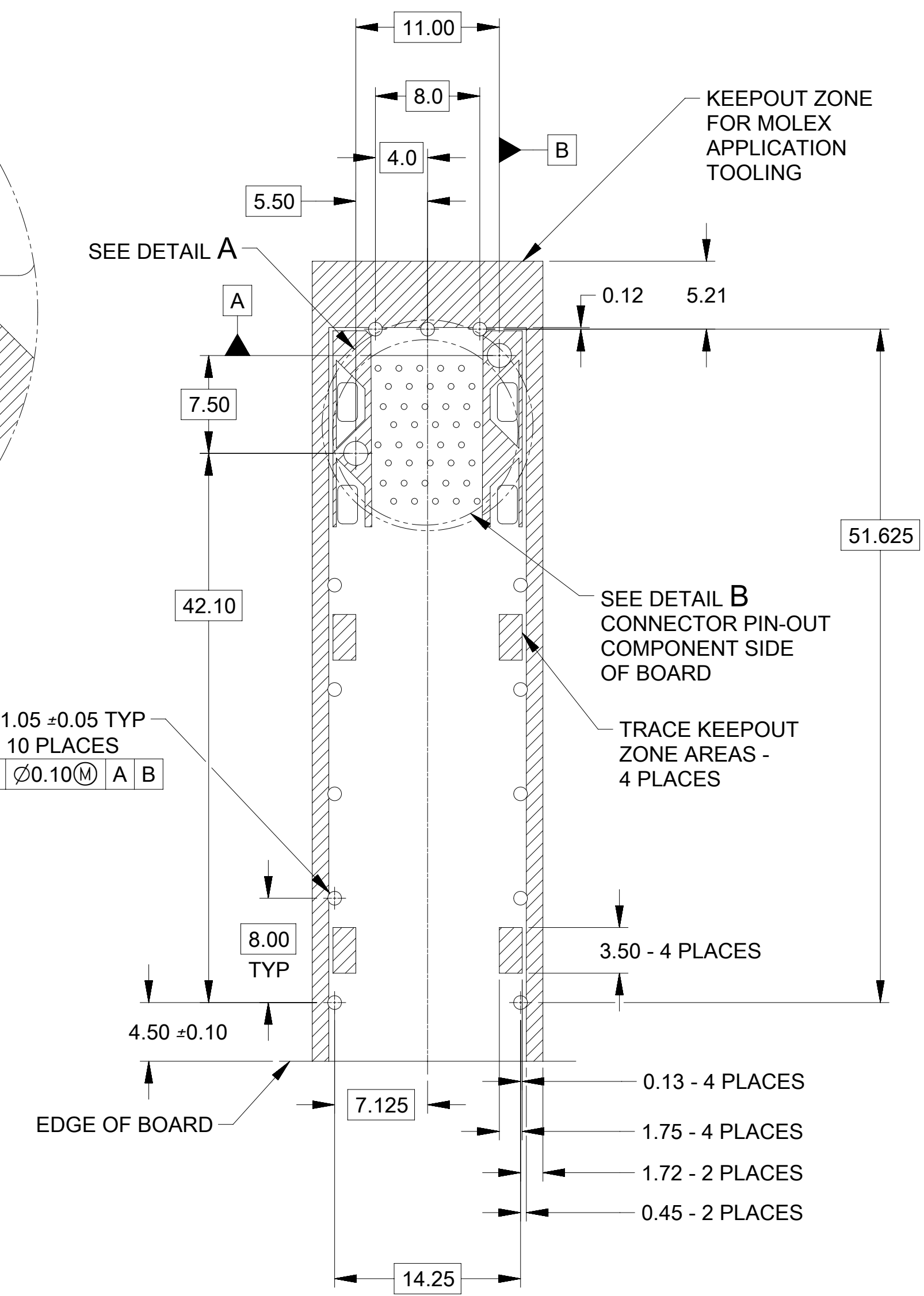
SYMBOLS		THIS DRAWING CONTAINS INFORMATION THAT IS PROPRIETARY TO MOLEX ELECTRONIC TECHNOLOGIES, LLC AND SHOULD NOT BE USED WITHOUT WRITTEN PERMISSION	
DIMENSION UNITS	SCALE	CURRENT REV DESC: UPDATE TO NEW TAILS	
$\nabla = 0$	mm	3:1	<p>molex</p> <p>STACKED SFP 2X1 MEDIUM HEIGHT ASSY, PRESS-FIT TAILS WITH LIGHT PIPES</p> <p>PRODUCT CUSTOMER DRAWING</p> <p>DOCUMENT NUMBER: SD-75640-001 DOC TYPE: PSD DOC PART: 001 REVISION: H</p> <p>MATERIAL NUMBER: GENERAL MARKET CUSTOMER: GENERAL MARKET SHEET NUMBER: 2 OF 4</p>
$\nabla = 0$	GENERAL TOLERANCES (UNLESS SPECIFIED)		
$\nabla = 0$	ANGULAR TOL $\pm 5.0^\circ$		
$\nabla = 0$	4 PLACES \pm		
$\nabla = 0$	3 PLACES \pm		
$\nabla = 0$	2 PLACES ± 0.13		
$\nabla = 0$	1 PLACE ± 0.25		
$\nabla = 0$	0 PLACES \pm		
$\nabla = 0$	DRAFT WHERE APPLICABLE MUST REMAIN WITHIN DIMENSIONS		<p>EC NO: 600319</p> <p>DRWN: SVANG01 2018/06/04</p> <p>CHK'D: RWHIPPLE 2018/06/05</p> <p>APPR: CHIRSCHY 2018/06/05</p> <p>INITIAL REVISION:</p> <p>DRWN: JLONG 2004/10/21</p> <p>APPR: RNELSON 2004/10/28</p>
$\nabla = 0$	THIRD ANGLE PROJECTION	DRAWING	SERIES
		C-SIZE	75640



CONNECTOR PIN-OUT
COMPONENT SIDE OF BOARD
DETAIL B
SCALE 10:1

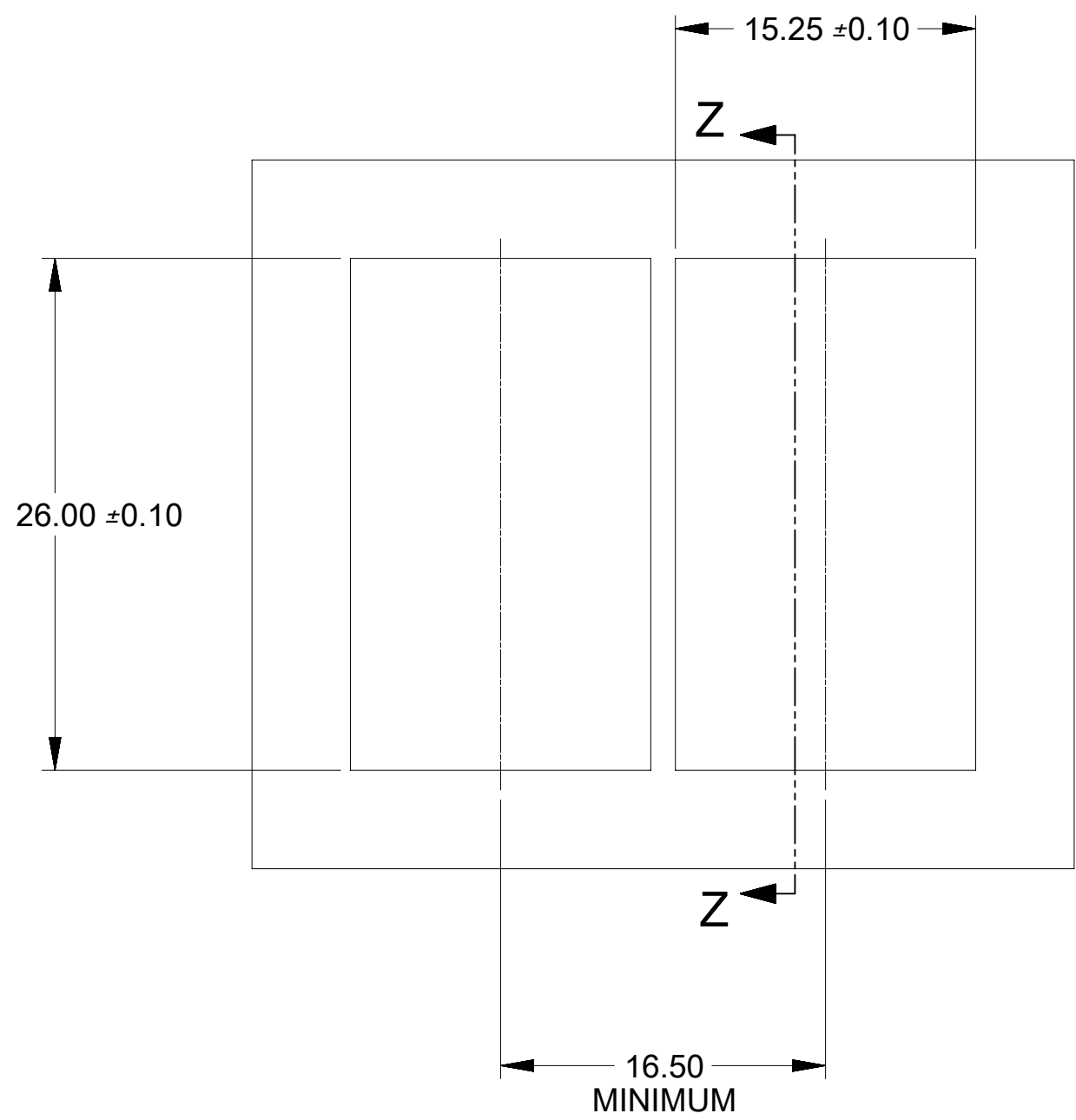


DETAIL A
SCALE 10:1

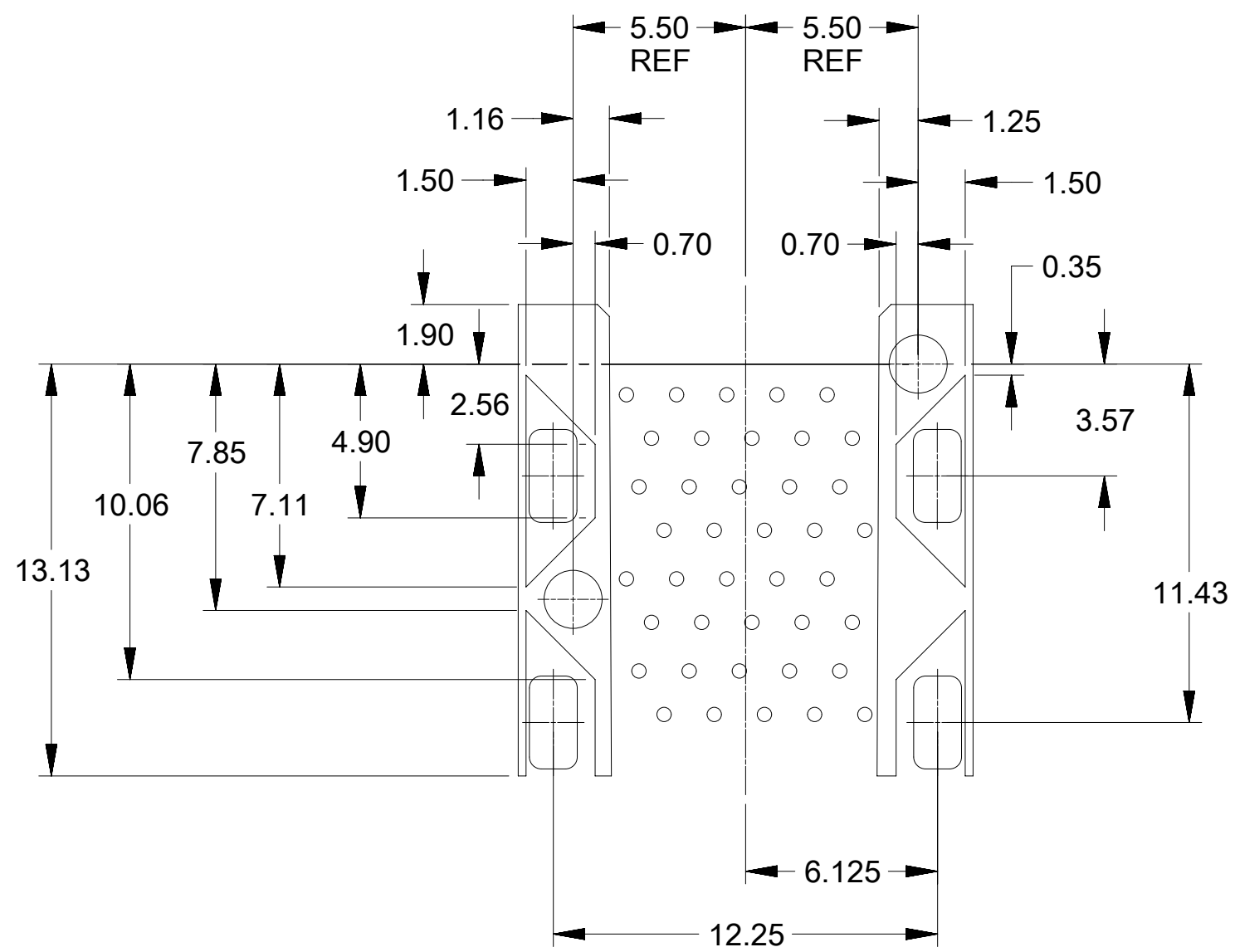
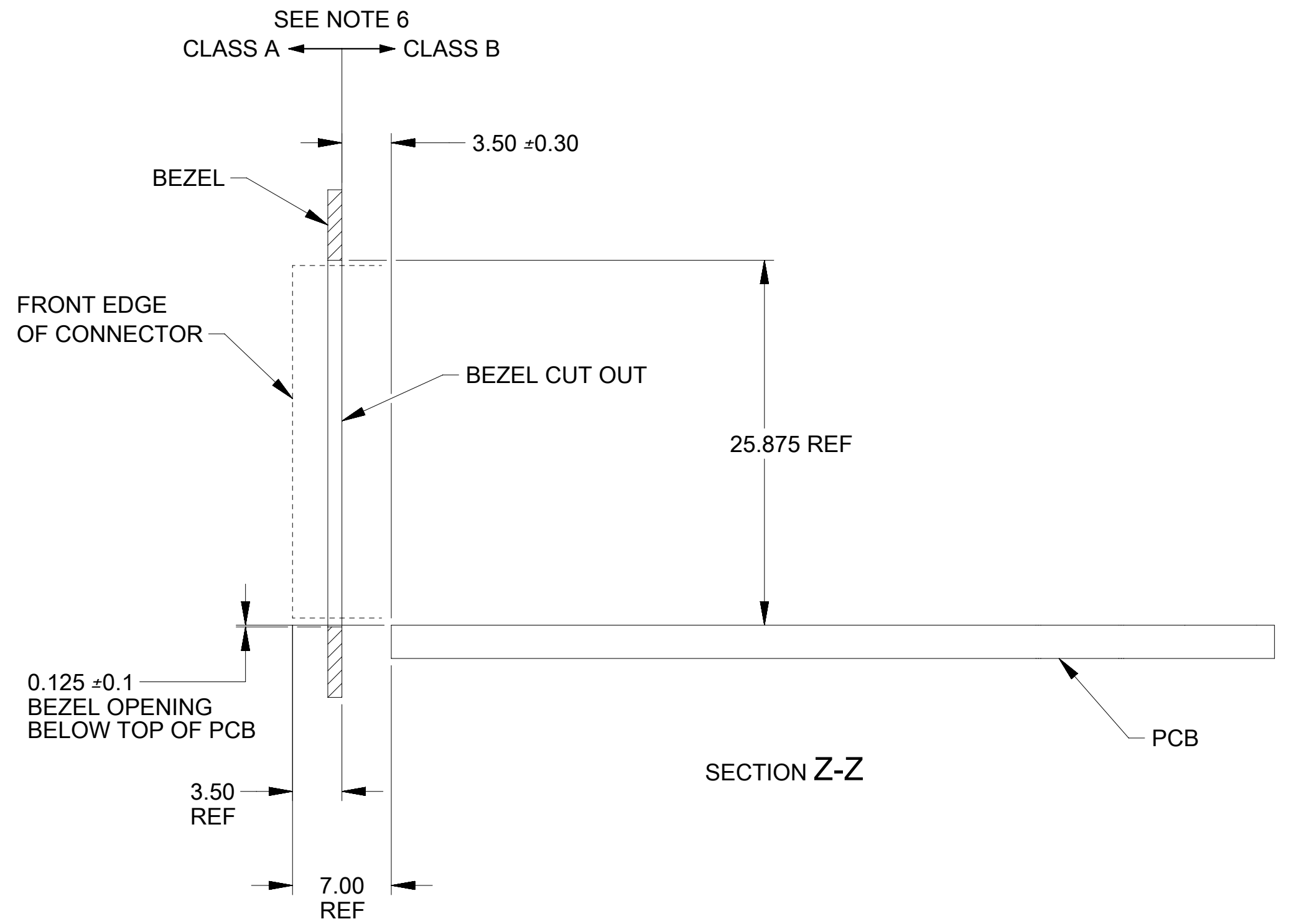


RECOMMENDED PCB LAYOUT - COMPONENT SIDE
RECOMMENDED PCB THICKNESS: 2.36 MM (.093 INCH)
(MINIMUM PCB THICKNESS: 1.57)
THE ENTIRE AREA OF THE CONNECTOR FOOTPRINT
TO BE CONSIDERED THE KEEP OUT AREA FOR COMPONENTS

SYMBOLS				THIS DRAWING CONTAINS INFORMATION THAT IS PROPRIETARY TO MOLEX ELECTRONIC TECHNOLOGIES, LLC AND SHOULD NOT BE USED WITHOUT WRITTEN PERMISSION			
DIMENSION UNITS		SCALE		CURRENT REV DESC: UPDATE TO NEW TAILS			
mm		3:1					
GENERAL TOLERANCES (UNLESS SPECIFIED)				EC NO: 600319			
ANGULAR TOL ± 5.0°				DRWN: SVANG01		2018/06/04	
4 PLACES ±				CHK'D: RWHIPPLE		2018/06/05	
3 PLACES ±				APPR: CHIRSCHY		2018/06/05	
2 PLACES ± 0.13				INITIAL REVISION:			
1 PLACE ± 0.25				DRWN: JLONG		2004/10/21	
0 PLACES ±				APPR: RNELSON		2004/10/28	
DRAFT WHERE APPLICABLE MUST REMAIN WITHIN DIMENSIONS				THIRD ANGLE PROJECTION		DRAWING SERIES	
				C-SIZE		75640	
				MATERIAL NUMBER		CUSTOMER	
				SD-75640-001		GENERAL MARKET	
				DOCUMENT NUMBER		DOC TYPE DOC PART REVISION	
				PSD		001 H	
				SHEET NUMBER		3 OF 4	

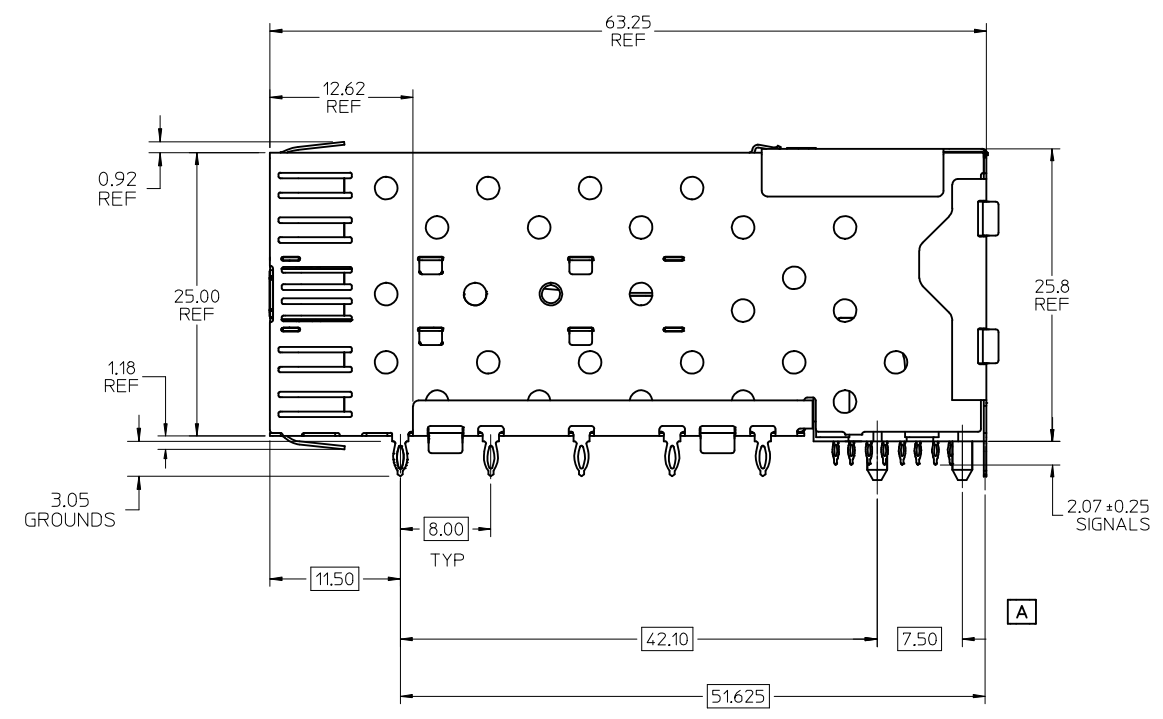
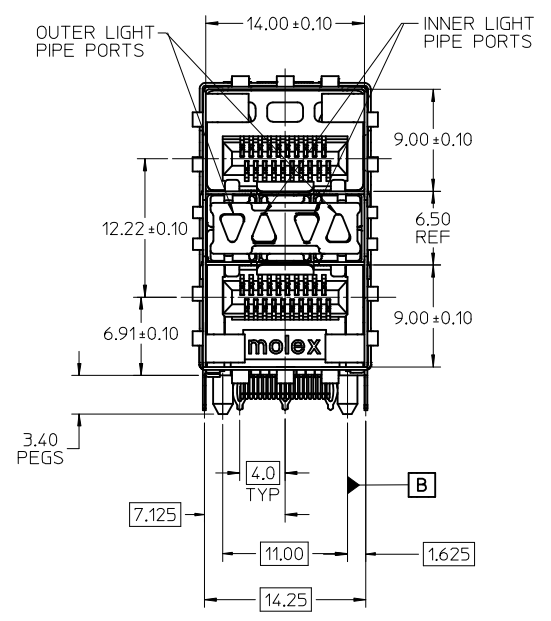


BEZEL CUT-OUT CENTER SPACIING DETAIL
BEZEL THICKNESS 0.8 - 2.6



KEEP-OUT ZONE DETAIL
SCALE 5:1

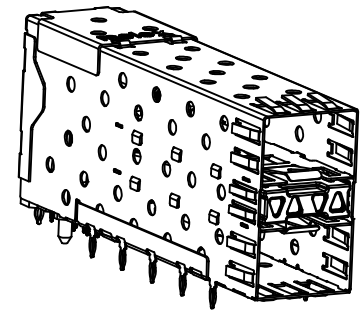
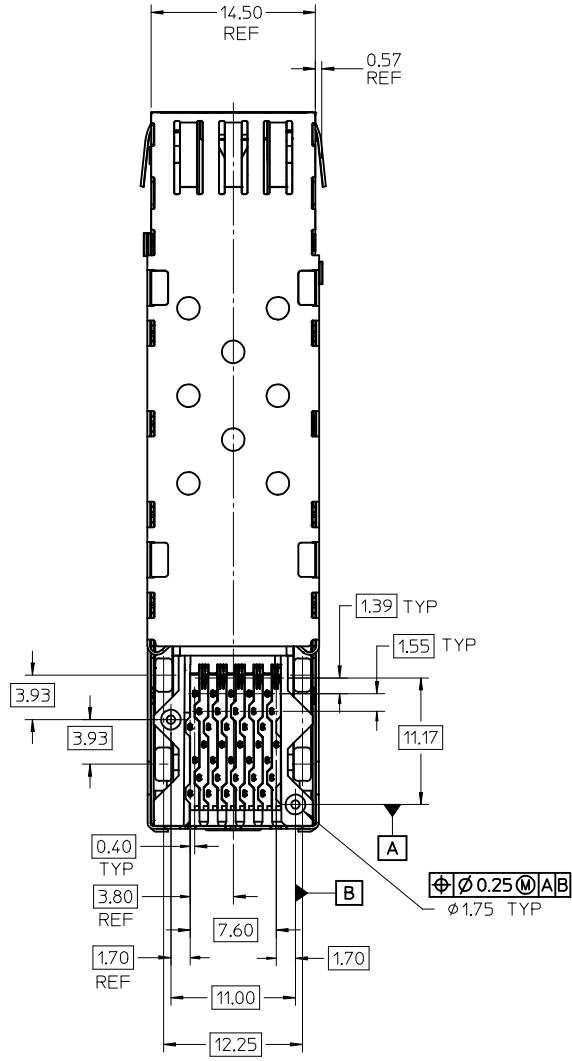
THIS DRAWING CONTAINS INFORMATION THAT IS PROPRIETARY TO MOLEX ELECTRONIC TECHNOLOGIES, LLC AND SHOULD NOT BE USED WITHOUT WRITTEN PERMISSION										
SYMBOLS		DIMENSION UNITS		SCALE		CURRENT REV DESC: UPDATE TO NEW TAILS				
▽ = 0	▽ = 0	mm	3:1			molex STACKED SFP 2X1 MEDIUM HEIGHT ASSY, PRESS-FIT TAILS WITH LIGHT PIPES				
▽ = 0	▽ = 0	GENERAL TOLERANCES (UNLESS SPECIFIED)								
▽ = 0	▽ = 0	ANGULAR TOL ± 5.0°				EC NO: 600319 DRWN: SVANG01 2018/06/04 CHK'D: RWHIPPLE 2018/06/05 APPR: CHIRSCHY 2018/06/05				
▽ = 0	▽ = 0	4 PLACES ±				INITIAL REVISION: DRWN: JLONG 2004/10/21 APPR: RNELSON 2004/10/28				
▽ = 0	▽ = 0	3 PLACES ±				DOCUMENT NUMBER		DOC TYPE	DOC PART	REVISION
▽ = 0	▽ = 0	2 PLACES ± 0.13				SD-75640-001		PSD	001	H
▽ = 0	▽ = 0	1 PLACE ± 0.25				MATERIAL NUMBER		CUSTOMER		SHEET NUMBER
▽ = 0	▽ = 0	0 PLACES ±				GENERAL MARKET				4 OF 4
▽ = 0	▽ = 0	DRAFT WHERE APPLICABLE MUST REMAIN WITHIN DIMENSIONS		THIRD ANGLE PROJECTION		DRAWING		SERIES		
				C-SIZE		75640				



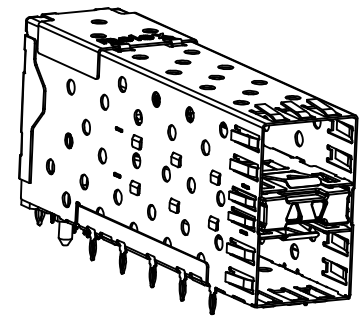
PART NUMBER	DESCRIPTION	VIEW	COMPLIANT TAIL PLATING
75640-2001	4 PORT LIGHT PIPE	SEE PG 2	TIN
	INNER 2 PORTS	SEE PG 2	TIN
	OUTER 2 PORTS	SEE PG 2	TIN

UPDATE ISO VIEWS EC NO: UCP2015-5229 DRWNSVANG01 2015/06/17 CHKD:BBARKER 2015/06/17 APPR:SMILLER 2015/06/30	QUALITY SYMBOLS ∇=0 ∇=0 ∇=0	GENERAL TOLERANCES (UNLESS SPECIFIED)		DIMENSION STYLE MM ONLY	SCALE 3:1	DESIGN UNITS METRIC	THIRD ANGLE PROJECTION		
		4 PLACES ± --- ± --- 3 PLACES ± --- ± --- 2 PLACES ± 0.13 ± --- 1 PLACE ± 0.25 ± --- 0 PLACE ± --- ± ---	mm INCH ± --- ± --- ± 0.13 ± --- ± 0.25 ± --- ± --- ± ---	DRAWN BY BBARKER	DATE 2009/11/06	TITLE STACKED SFP 2X1 MEDIUM HEIGHT ASS'Y, PRESS-FIT TAILS WITH LIGHT PIPES			
		DRAFT WHERE APPLICABLE MUST REMAIN WITHIN DIMENSIONS		CHECKED BY MIBARRA	DATE 2009/11/06	APPROVED BY SMILLER			
		ANGULAR ± 5°		MATERIAL NO. SEE CHART	DATE 2010/12/09	DOCUMENT NO. SD-75640-004		SHEET NO. 1 OF 4	

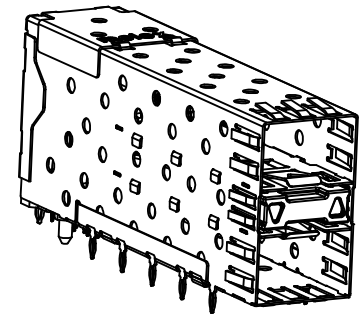
THIS DRAWING CONTAINS INFORMATION THAT IS PROPRIETARY TO MOLEX INCORPORATED AND SHOULD NOT BE USED WITHOUT WRITTEN PERMISSION



756402001
WITH 4 LIGHT PIPE PORTS

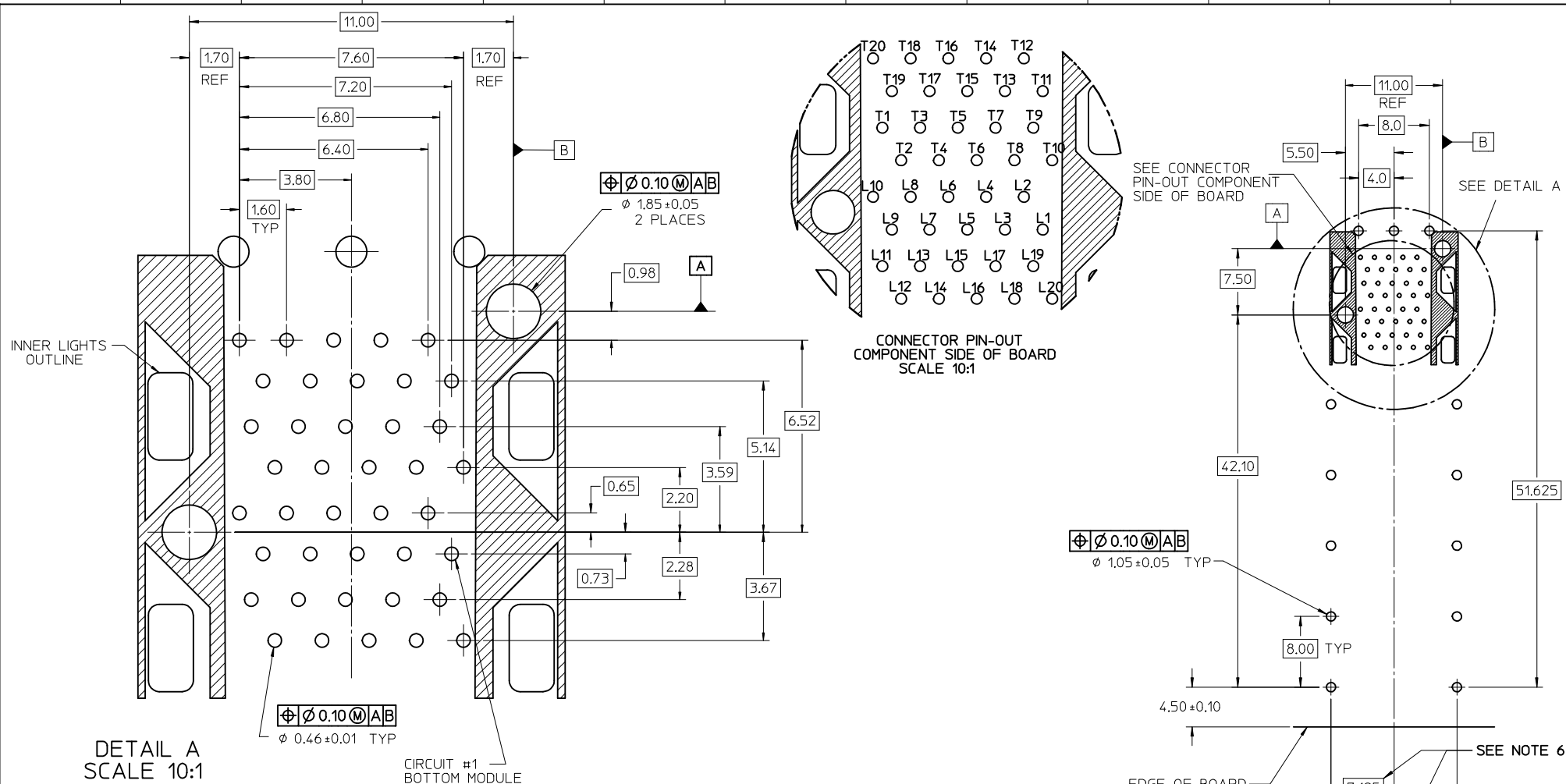


WITH INNER LIGHT PIPE PORTS



WITH OUTER LIGHT PIPE PORTS

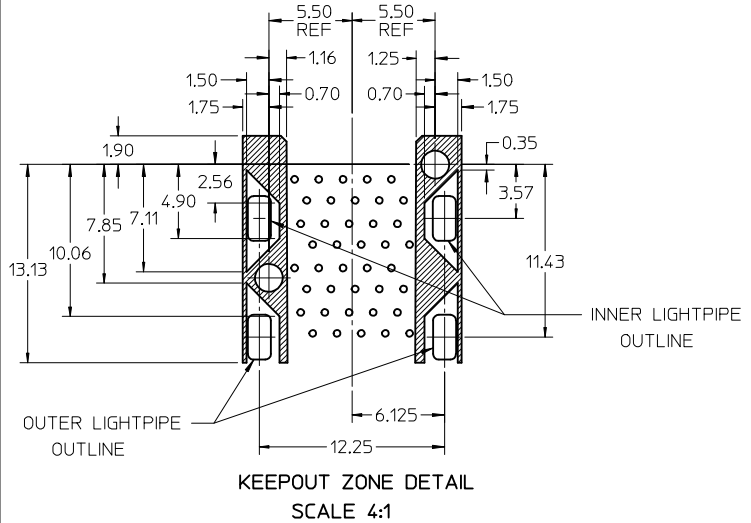
SEE SHEET 1 EC NO: UCP2015-5229 DRWNSYANG01 2015/06/17 CHKD:BBARKER 2015/06/17 APPR:SMILLER 2015/06/30	QUALITY SYMBOLS	GENERAL TOLERANCES (UNLESS SPECIFIED)	DIMENSION STYLE	SCALE	DESIGN UNITS	THIRD ANGLE PROJECTION
	▽=0	mm INCH	MM ONLY	3:1	METRIC	
	▽=0	4 PLACES ± --- ± ---	DRAWN BY DATE	TITLE	DOCUMENT NO.	SHEET NO.
	▽=0	3 PLACES ± --- ± ---	BBARKER 2009/11/06			
	2 PLACES ± 0.13 ± ---	CHECKED BY DATE	STACKED SFP 2X1 MEDIUM HEIGHT ASS'Y, PRESS-FIT TAILS WITH LIGHT PIPES			
	1 PLACE ± 0.25 ± ---	APPROVED BY DATE	molex SD-75640-004			
	0 PLACE ± --- ± ---	SMILLER 2010/12/09				
	ANGULAR ± 5 °	DRAFT WHERE APPLICABLE MUST REMAIN WITHIN DIMENSIONS	SEE SHEET 1	2 OF 4		
			THIS DRAWING CONTAINS INFORMATION THAT IS PROPRIETARY TO MOLEX INCORPORATED AND SHOULD NOT BE USED WITHOUT WRITTEN PERMISSION			



DETAIL A SCALE 10:1

CIRCUIT #1 BOTTOM MODULE

RECOMMENDED PCB LAYOUT - COMPONENT SIDE
 MINIMUM PCB THICKNESS OF 1.6mm

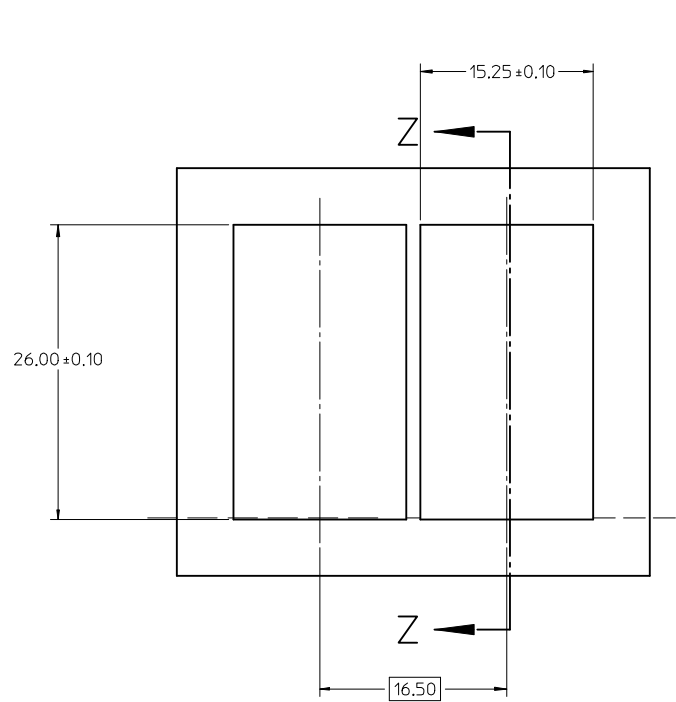


SEE SHEET 1 EC NO: UCP2015-5229 DRAWN BY: DRWNSVANG01 CHECKED BY: CHYKD-BARKER APPROVED BY: JAPPR-SMILLER	REV	DESCRIPTION	QUALITY SYMBOLS	GENERAL TOLERANCES (UNLESS SPECIFIED)		DIMENSION STYLE		SCALE	DESIGN UNITS	THIRD ANGLE PROJECTION
				mm	INCH	MM ONLY	METRIC			
				4 PLACES	± ---	± ---	DRAWN BY: BBARKER	DATE: 2009/11/06	STACKED SFP 2X1 MEDIUM HEIGHT ASS'Y, PRESS-FIT TAILS WITH LIGHT PIPES	DOCUMENT NO. SD-75640-004
				3 PLACES	± ---	± ---	CHECKED BY: MIBARRA	DATE: 2009/11/06		
				2 PLACES	± 0.13	± ---	APPROVED BY: SMILLER	DATE: 2010/12/09		
				1 PLACE	± 0.25	± ---	MATERIAL NO.			
				0 PLACE	± ---	± ---	SEE SHEET 1			
				ANGULAR ± 5 °		SIZE C		THIS DRAWING CONTAINS INFORMATION THAT IS PROPRIETARY TO MOLEX INCORPORATED AND SHOULD NOT BE USED WITHOUT WRITTEN PERMISSION		SHEET NO. 3 OF 4

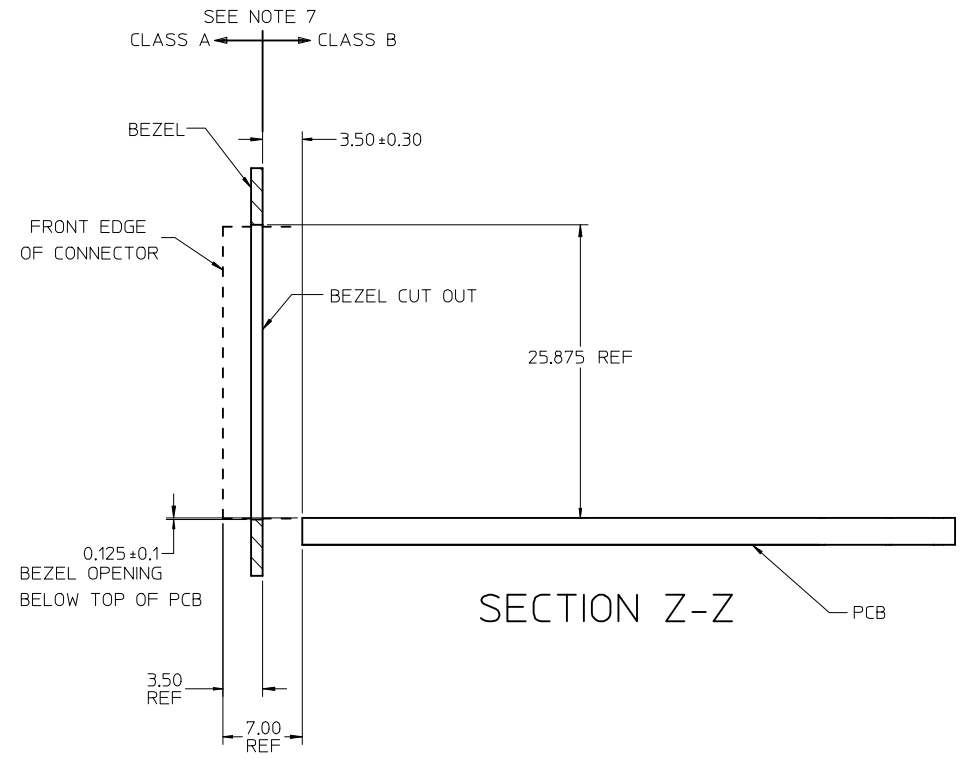
STACKED SFP 2X1 MEDIUM HEIGHT ASS'Y, PRESS-FIT TAILS WITH LIGHT PIPES



DOCUMENT NO. SD-75640-004 SHEET NO. 3 OF 4



BEZEL CUT-OUT CENTER SPACING DETAIL
BEZEL THICKNESS 0.8-2.6



SECTION Z-Z

SEE SHEET 1 EC NO: UCP2015-5229 DRWNS:VANG01 2015/06/17 CHKD:BBARKER 2015/06/17 APPR:SMILLER 2015/06/30	QUALITY SYMBOLS ∇=0 ∇=0 ∇=0	GENERAL TOLERANCES (UNLESS SPECIFIED)		DIMENSION STYLE MM ONLY		SCALE 3:1	DESIGN UNITS METRIC	THIRD ANGLE PROJECTION	
		4 PLACES ± --- ± ---	3 PLACES ± --- ± ---	2 PLACES ± 0.13 ± ---	1 PLACE ± 0.25 ± ---	0 PLACE ± --- ± ---	DRAWN BY BBARKER		DATE 2009/11/06
		ANGULAR ± 5 °					APPROVED BY SMILLER	DATE 2010/12/09	DOCUMENT NO. SD-75640-004
		DRAFT WHERE APPLICABLE MUST REMAIN WITHIN DIMENSIONS					MATERIAL NO. SEE SHEET 1	SHEET NO. 4 OF 4	