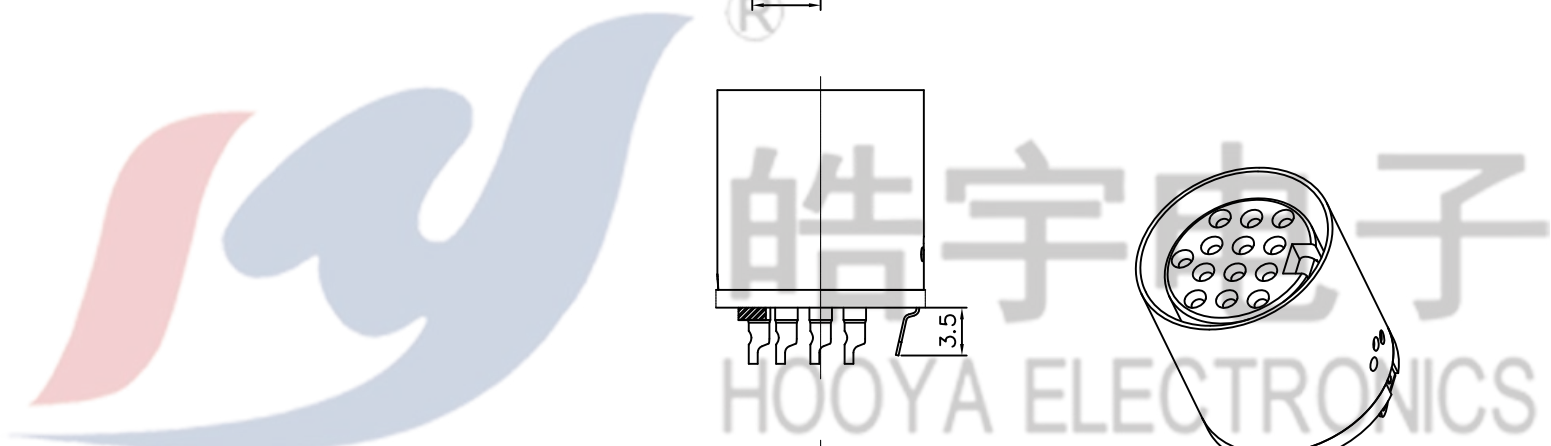
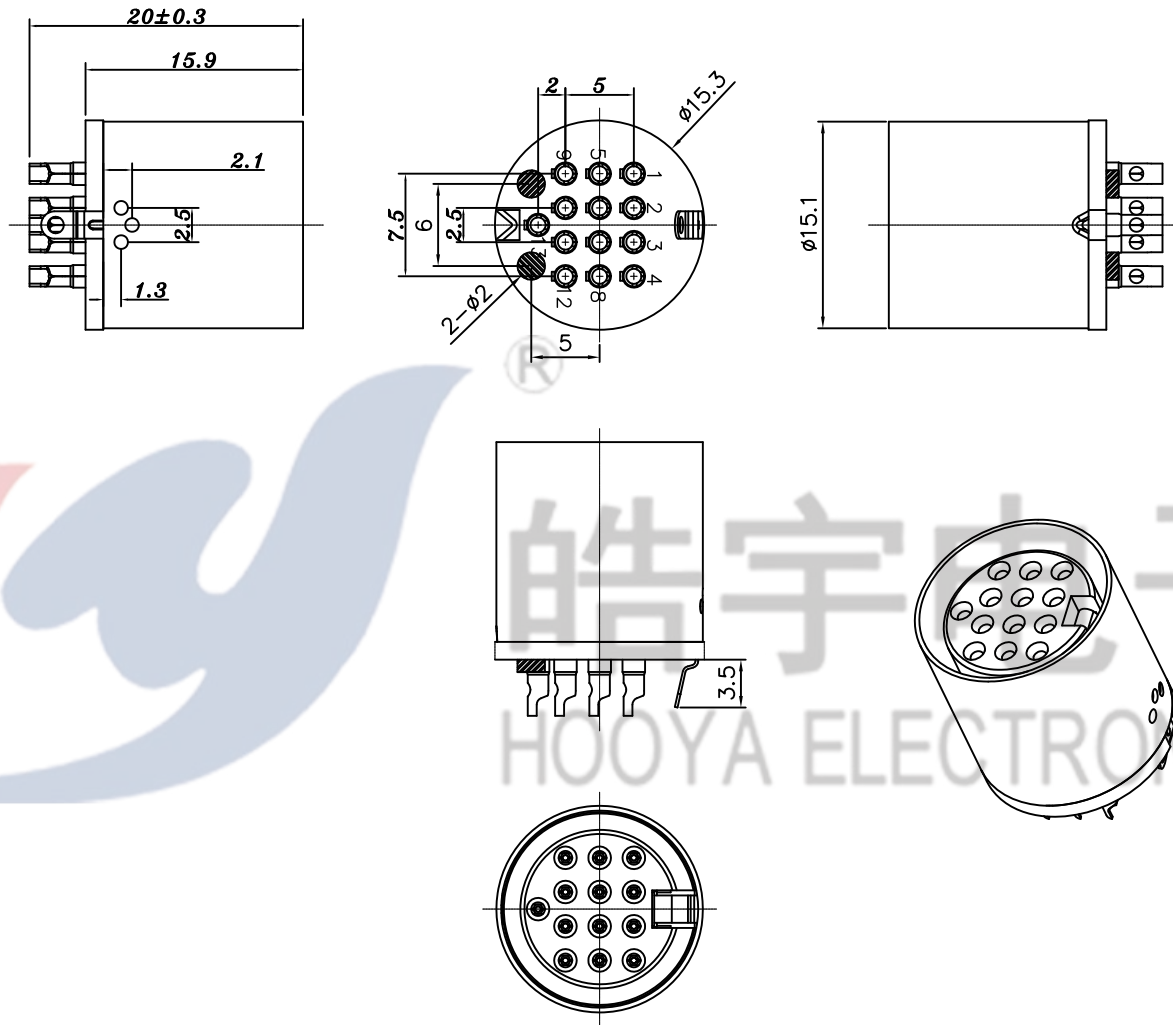


HAOYU



8					TOLERANCE							
7					UNLESS SPECIFIED							
6					UP TO 5mm: ±0.1	ANGULAR	1	2022.1.13	更新图纸		ZLK	
5					ABOVE 5mm: ±0.2	±1°	NO	DATE	REVISIONS		BY	APPD
4	弹片	PHOSPHOT BRONZE	1	Sn/Ni-PLATED	TITLE: DIN JACK			UNIT : MM	ROHS	DWN		
3	铜套	BRASS	1	Ni-PLATED	MODEL: DIN-130M			SCALE: 1:1	COMPLIANT	CHK'D		
2	插针	PHOSPHOT BRONZE	13	Sn/Ni-PLATED	HAOYU(HONGKONG)LIMITED 皓宇(香港)有限公司					APPD		
1	基座	PBT	1									
NO.	PART	NAME	MATERIAL	QTY	FINISHING			PRO.AGL:		REV :A1		