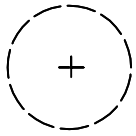
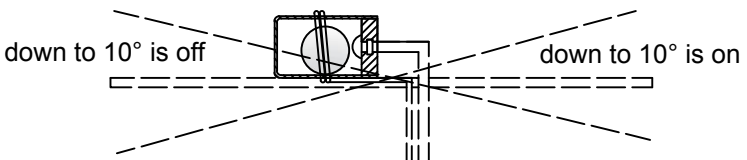
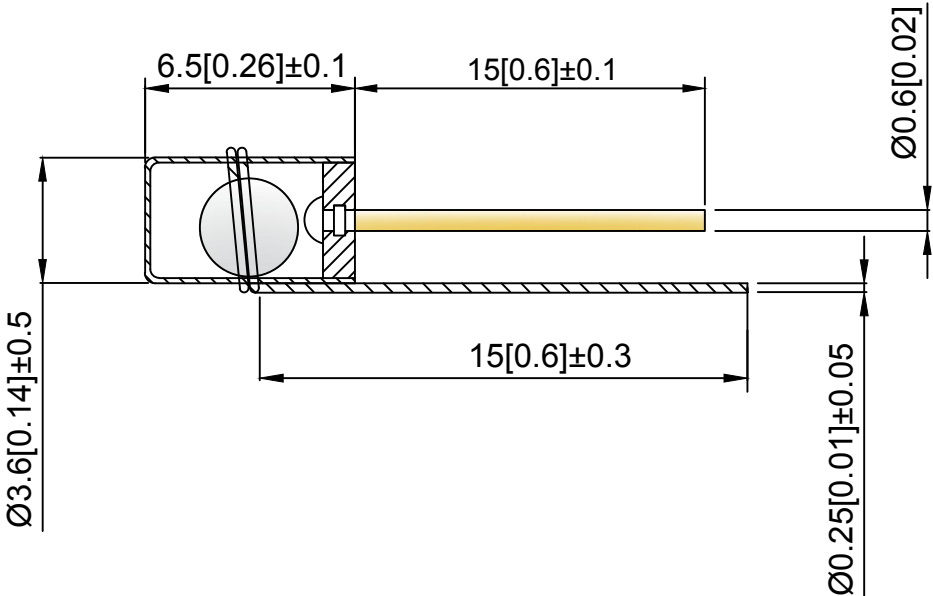


**ROCPU Product features**

- Voltage: < 12V
- Current: < 20mA
- Conduction time: 2ms
- Closed circuit resistance: < 1 ohm
- Open circuit resistance: > 1 ohm
- High temperature resistance: 120 degrees
- Terminal tension: 500gf / min
- Humidity: 25~95%RH
- Operating life: 100000 times

**Product features:**

1. TPSW-105A-B is roller ball type single direction tilt induction trigger switch.
2. When the tilt angle of the electrical end (no foot end) of the product guide is greater than 10 degrees, the product is in the open (OFF) state; When the horizontal state of the product changes, when the trigger end (gold-plated pin end) is lower than horizontal and the inclination angle is greater than 10 degrees, the product is in the closed circuit (ON) state. This series of switches are in the open-circuit OFF state when they are still, when they are touched by external force and reach the corresponding vibration force, or when the moving speed reaches the adaptive (partial) centrifugal force, the conductive joint will turn ON instantly; When the external force disappears, the switch will return to the open-circuit OFF state.
3. This series of switches have P model, which is completely sealed package.
4. This series of switches are slow to trigger and can be divided into three different levels of sensitivity.
5. The normal service life of this series of switches can reach 200000 times
6. This series of switches are applicable to series of sensing electronic products such as burglar alarm, electronic scale, power bank, toys, etc



⑦					
⑥	Heat shrinkable tube	1	PET		
⑤	Spring	1	Phosphor copper	Tinning	
④	Rubber stopper	1	PLC		
③	BALL	1	Brass	Plate with silver	
②	PIN	1	Brass	Gold-plated	
①	Copper tube	1	Brass	Plate with silver	
ITEM	PAPT NAMF	QTY	MATERIAL	FINISHING	REMARK

A4					<b>COMMON TOLERANCE:</b> X.XX ± 0.10 X.X ± 0.15 X ± 0.25 ANGULAR —	UNIT	MM	PROJECTED		PRODUCT NAME:
A3			DRAWN BY			FUYUAN	CHECKED BY	COCO	MODEL NO: <b>TPSW-105A-B</b>	
A2			DATE			2017	APPROVAL BY	ALEN	Https: www.rocpcu.tw	
A1			<b>ROCPU TECHNOLOGY CO.,LTD</b>							
REV.	DATE	REVISION	DESCRIPTION			ISSUE	Copies are issued in strict confidence and shall not be reproduced or copied, or used as the basic of manufacture or sale of apparatus without permission			