

REV.	MATER	APP.	DATE
A			

NOTE:
 1.MATERIAL:
 a.HOUSING:THERMOPLASTIC GLASS FIBRE UL94V-0
 b.CONTACT:PHOSPHOR BRONZE
 (SURFACE PLATING: Ni100u")
 SEE ORDERING INFORMATION
 2.ELECTRIC:
 a.CONTACT RESISTANCE: 30 MILLIOHMS MAX
 b.INSULATION RESISTANCE: 1000 MEGA OHMS MIN
 c.DIELECTRIC VOLTAGE: 750V AC ONE SEC LEVEL
 d.OPERATING TEMPERATURE: -55°C~ +85°C

ORDERING INFORMATION

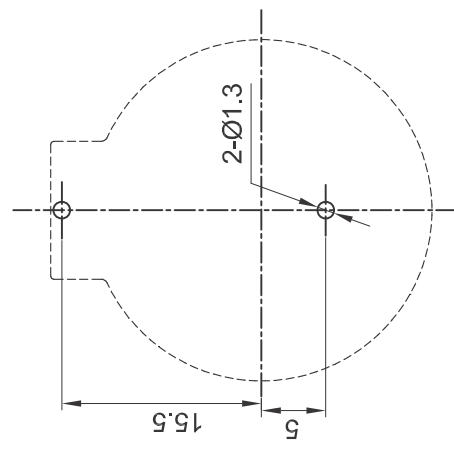
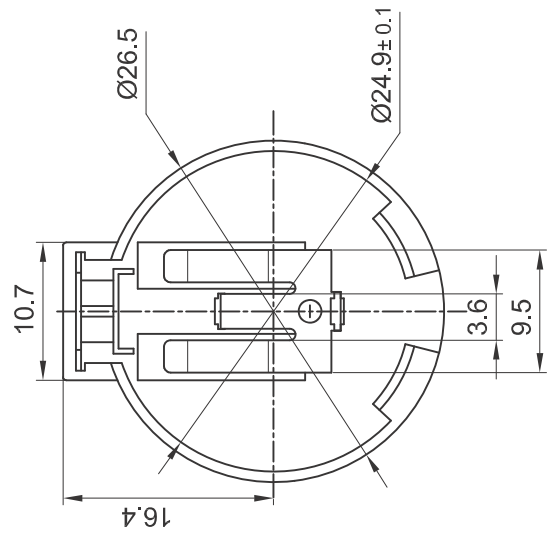
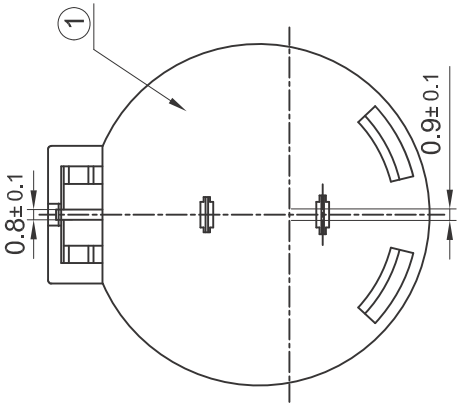
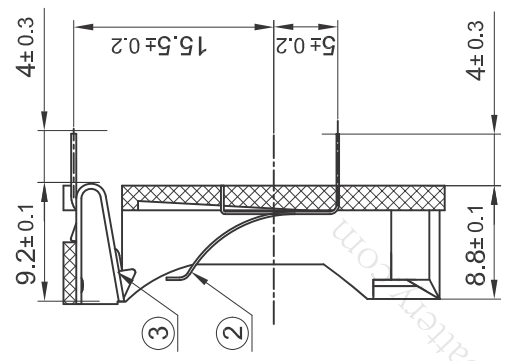
QJ-BS-24-A0*001**

品牌: 电池座系列
 BS-24系列
 DIP 90° TYPE

PLATING:
 J-Ni100u"~120u"
 K-Ni150U"

MATERIAL:
 1A-PBT WHITE
 1B-PBT BLACK
 2A-PA66 WHITE
 2B-PA66 BLACK
 3A-PA6T WHITE
 3B-PA6T BLACK

CRUST:
 O-WITHOUT



PCB Holes Diagram
Top View

Tolerance:Unless otherwise specified

NO.	TERMINAL-2	TERMINAL-1	HOUSING	PART NAME	MATERIAL	COLOR/FINISHED
3	TERMINAL-2				PHOSPHOR BRONZE	Ni-Plated
2	TERMINAL-1				PHOSPHOR BRONZE	Ni-Plated
1	HOUSING				PBT	BLACK

日期DATE	单位UNITS	审核CHECK	BATTERY HDLDR	PART NO.
2009.07.20	mm	QJ.LIU		QJ-BS-24-A1B0J001
比例SCALE	制图DRAW	设计DESIGN	TITLE:	
1/1	QJ.QILIU	QJ.HUAN	— 电池座卧式 (BS-2450-1)	

深圳市琦捷电子有限公司
 Shenzhen Qijie Electronicco.,LTD