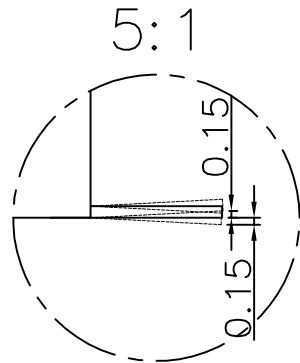
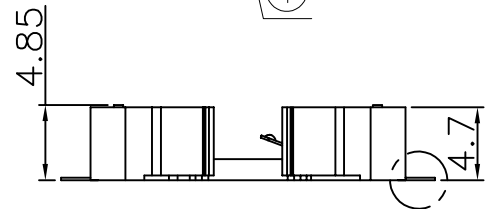
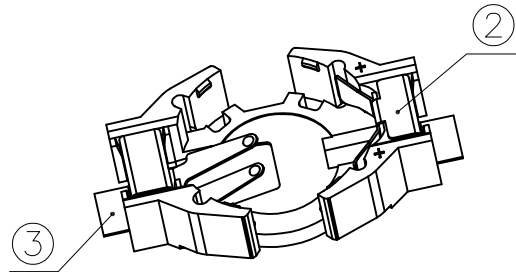
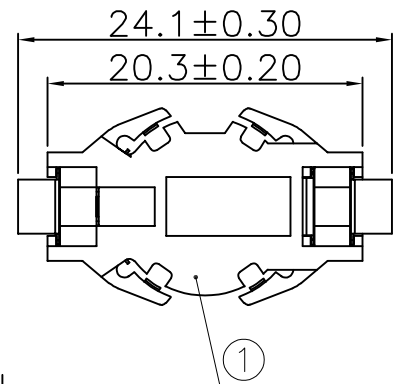




REV.	ECN NO.	REVISED	DATE



1.MATERIAL:
 a.HOUSING:LCP UL94V-0
 b.CONTACT:SUS301
 (SURFACE PLATING:Sn100-120u")
 SEE ORDERING INFORMATION

2.ELECTRIC:
 a.CONTACT RESISTANCE: 50 MILLIOHMS MAX
 b.INSULATION RESISTANCE: 100 MEGA OHMS MIN
 c.DIELECTNIC VOLTAGE: 500V AC ONE SEC LEVEL
 d.OPERATING TEMPERATURE: -25°C~ +85°C

ORDERING INFORMATION

BS-12-B***025

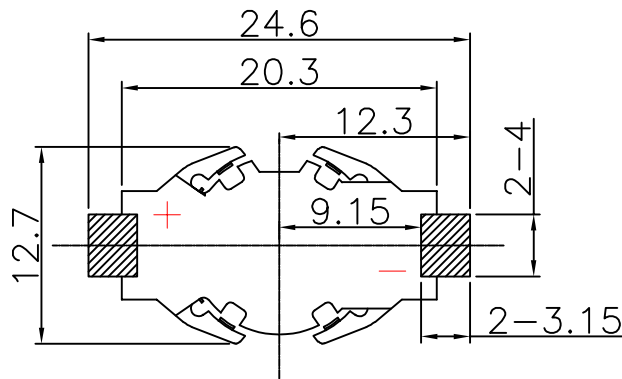
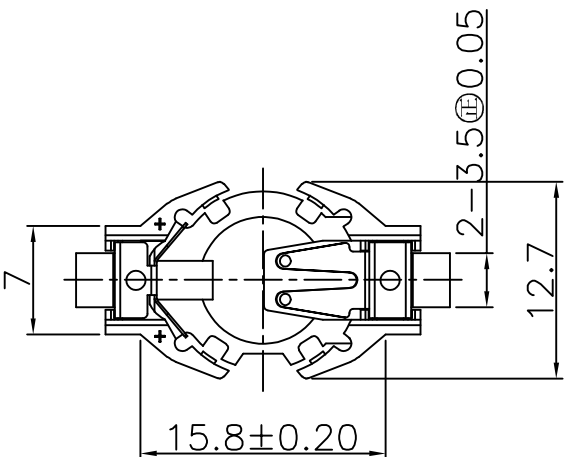
电池座系列

BS-12系列

SMT 180° TYPE

PLATING:
 A-Au1U"
 J-Ni100U"~120U"
 K-Sn100U"~120U"

MATERIAL:
 1A-PBT BLACK
 1B-PA66 BLACK
 2A-PPA BROWN
 2B-PPA BLACK
 3A-PPS BROWN
 3B-PPS BLACK
 4A-LCP WHITE
 4B-LCP BLACK



PCB Layout Diagram
Top View

工程部
2022-10-22
H. WANG

UNLESS OTHERWISE SPECIFIED TOLERANCES		MYOUNG 美用 www.meiyangdz.com	
DECIMALS: X :±0.30 X.X :±0.25 X.XX :±0.20 X.XXX :±0.10	ANGLES: X :±1° X.X :±0.5°	DSND YangFeng	DATE 2022-10-22
WEIGHT: SHEET 1 OF 1		CHKD ZhouRuicai	DATE 2022-10-22
		APVD XueShun Yong	DATE 2022-10-22
TITLE: BS-1225-4 SMT LCP白色		PART NO.: BS-12-B4AK025	
UNIT: mm		SCALE: 1:1	VIEW:
REV.: A/0		SIZE: A4	OBJECT: MY
DRAW NO.:WD-CP-0239			

NO.	PART NAME	Q'TY	MATERIAL	PLATING & COLOR
3	TERMINAL(-)	1	SUS301, T=0.15mm	Sn-Plating
2	TERMINAL(+)	1	SUS301, T=0.15mm	Sn-Plating
1	HOUSING	1	LCP	WHITE