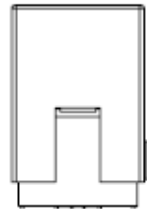
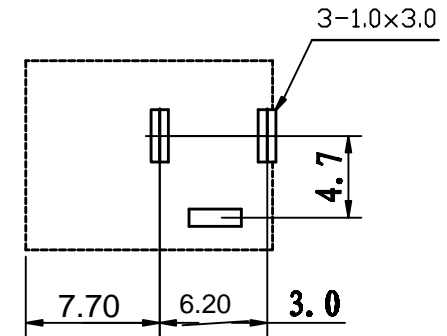
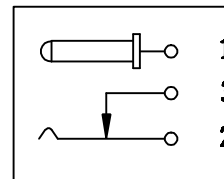


PCB LAYOUT
(TOP VIEW)



SCHEMATIC



NO	NAME	QTY	MATERIAL	NOTE
6	CASE	1PCS	PA66	BLACK
5	HOUSING	1PCS	PA66	BLACK
4	CENTER PIN	1PCS	BRASS OD=2.0mm	NI PLATED
3	TERMINAL	1PCS	BRASS T=0.30mm	TIN PLATED
2	SPRING	1PCS	PHDS.ERD NZE0.25	TIN PLATED
1	PLUG PIN	1PCS	BRASS T=0.30mm	TIN PLATED

Temperature: -40~60°C

Rated Load :DC 12V. 2A Max; AC 100V.1A Max

Contact Resistance: ≤0.03 Ω

Insulation Resistance : ≤0.03 Ω

Insulation Resistance: ≥100MΩ DC500V

Withstand Voltage :AC500V(50Hz)/min

Extraction Force:0.3Kg Minimum

Insertion Force :3.0Kg Maximum

Durability(Life Test):2000 Cycles

DESIGNED		CHECKED		APPROVAL		DRAWING NUMBER		DATE		REV.		SCALE: 1/2		SCALE: 3:1	
Mikey		Tom		Jerry		PART NAME		DC-005Y25		UNLESS OTHERWISE SPECIFIED,TOLERANCE:		X.		±0.25	
						MODEL NAME		DC-005Y25				X.x		±0.20	
						3RD ANGLE PROJ		HANYONES TECH CO.,LTD		FILE NO.					

