

REV	LOCATIONS	DESCRIPTION	DATE	REVISER	APPD
1	△	Size change	28/JUL/20	KATE	CHERRY

Electrical  
 Current Rating: 1.5A AC(rms)/DC  
 Voltage Rating: 30V AC(rms)/DC  
 Contact Resistance: 30 mΩ Max  
 Insulation Resistance: 1000 MΩ MIN  
 Withstanding Voltage: 500V AC r.m.s  
 Temperature Range—Operating: -55°C ~ +85°C

Material and Plating  
 Housing: PBT( UL 94V-0)  
 Contact Pin: Phosphor Bronze  
 Plating: Gold in contact area, Tin on tail.

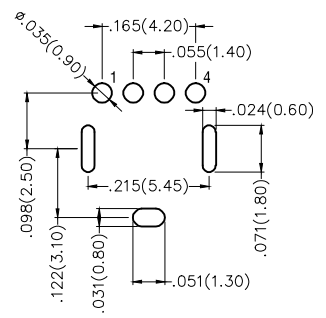
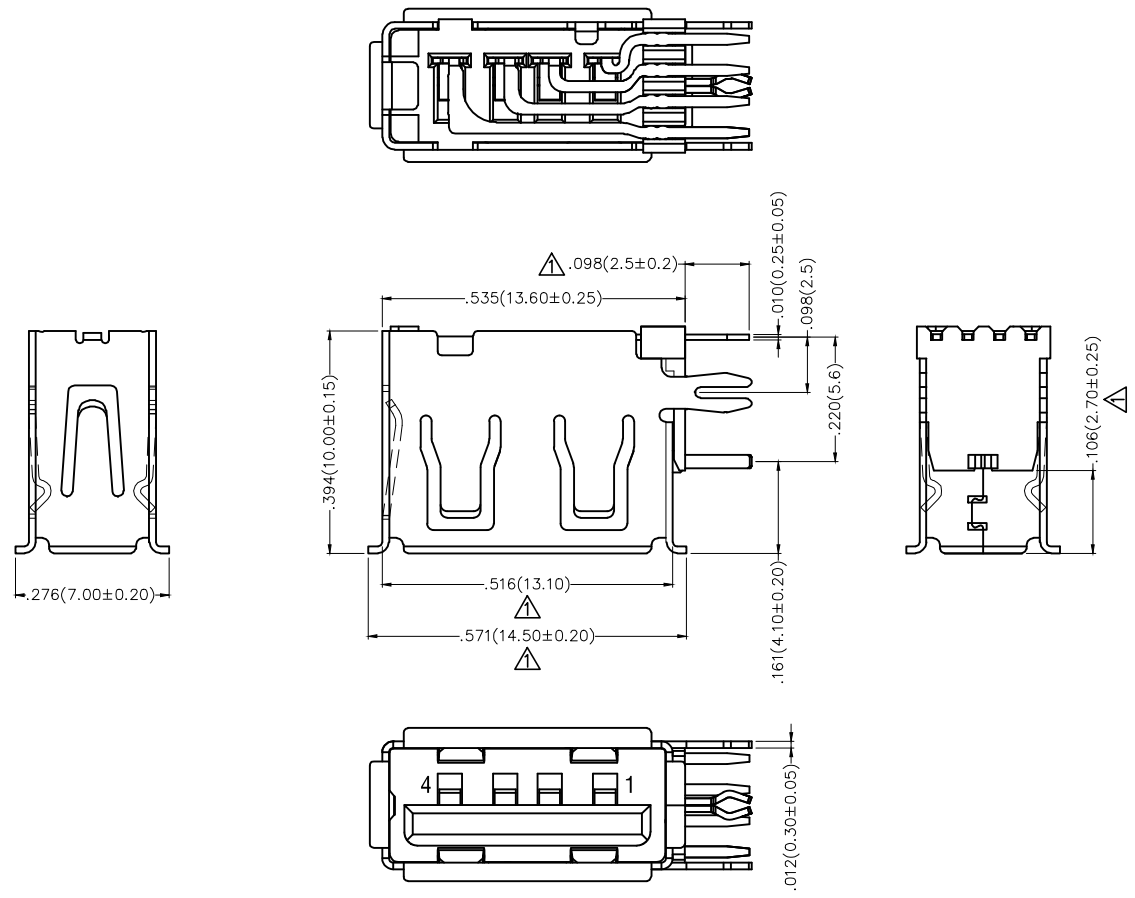
Pinassignment:

Pins	Signal name
PIN 1	VBUS
PIN 2	D-
PIN 3	D+
PIN 4	GND


Ordering Informaion

FUS 2 42 — F D B XX K  
 1 2 3 4 5 6 7 8

1	Category FUS-USB	2	Series Number 2-USB 2.0	3	Distinction No. 42	4	Type F-Female
5	Assembly Layout D-DIP	6	Entry Angle B-90° Angle	7	Color-Resin K6-Black W1-White U1-Blue	8	Packaging K-Tray



Recommended P.C.Board Layout

THIRD ANGLE PROJECTION		GENERAL TOLERANCES (UNLESS SPECIFIED)		APPROVE BY	DATE	PART NO.	ITEM NO.	 Leader Of Industry
		X.±.012(0.30)	X.±5'	FRANK	18/JUN/13	FUS242-FDBXXK	FUS242	
DESIGN UNITS		X.X±.008(0.20)	X.±2'	CHECKED BY	DATE	TITLE		
Inch (metric)		X.XX±.006(0.15)	.XX'±1'	CHERRY	18/JUN/13	USB A-type 4Circuits 90°Angle Male(DIP)		
SCALE	SIZE	X.XXX±.004(0.10)	.XXX'±0.5'	DRAWN BY	DATE	REV 1	SHEET NO. 1/1	
5:1	A4			KATE	18/JUN/13	THIS DRAWING CONTAINS INFORMATION THAT IS PROPRIETARY TO TXGA INDUSTRIAL ELECTRONICS(S.Z)CO.,LTD AND SHOULD NOT BE USED WITHOUT WRITTEN PERMISSION		