

規格承認書

PECIFICATION FOR APPROVAL

客戶
CUSTOMER : 立創
項目
ITEM : 电磁无源一体蜂鸣器（外部驱动）
型號
TYPE : GMC25125YB-25R800
描述
DESCRIPTION : ϕ 25.0 x 12.5mm 800Hz 25 Ω \geq 85DB PBT 材质 P=10.2mm
客戶料號
CUSTOMER NO. :
規格書號
SPECIFICATION NO.:
版本
EDITION NO. : V1.1
日期
DATE : 2019-12-27

客戶承認

CUSTOMER CONFIRM AND SIGN

檢查 TESTED BY	審核 CHECKED BY	承認 APPROVED BY

東莞市贏海電子有限公司

DONGUAN INGHAI ELECTRONICS CO.,LTD

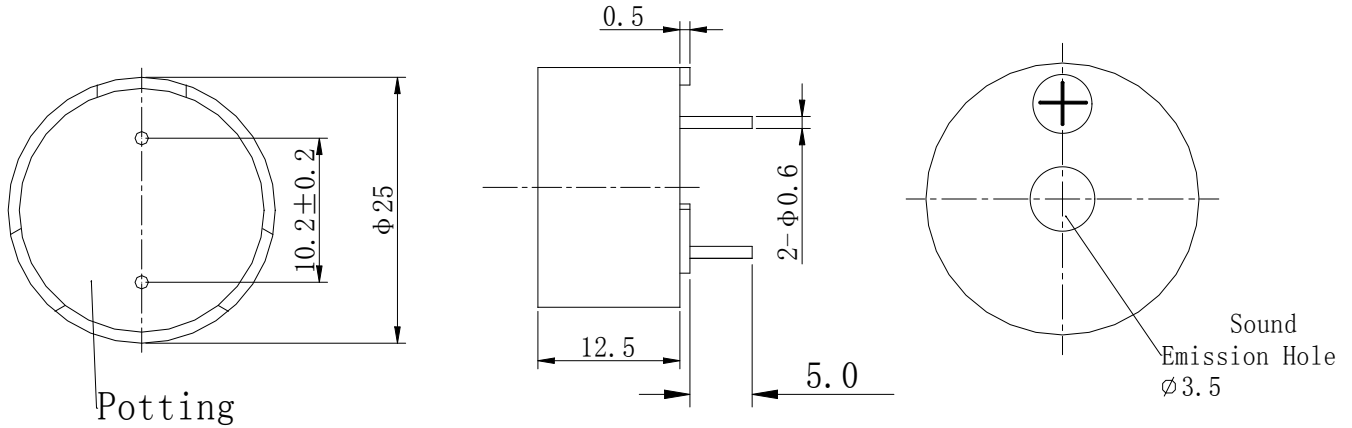
製作 ISSUED BY	審查 CHECKED BY	確認 APPROVED BY
周明	李林	

地址：廣東省東莞市長安鎮廈邊元灶頭工業區 16-6 號
電話 / TEL: 0769-83060958 傳真 / FAX: 0769-81608993
網址: HTTP://WWW.INGHAI.COM

DONGGUAN INGHAI ELECTRONICS CO.,LTD

Model NO: GMC25125YB-25R800

A: DIMENSIONS:



Tolerance: $\pm 0.5\text{mm}$ Unit: mm

B: SPECIFICATIONS

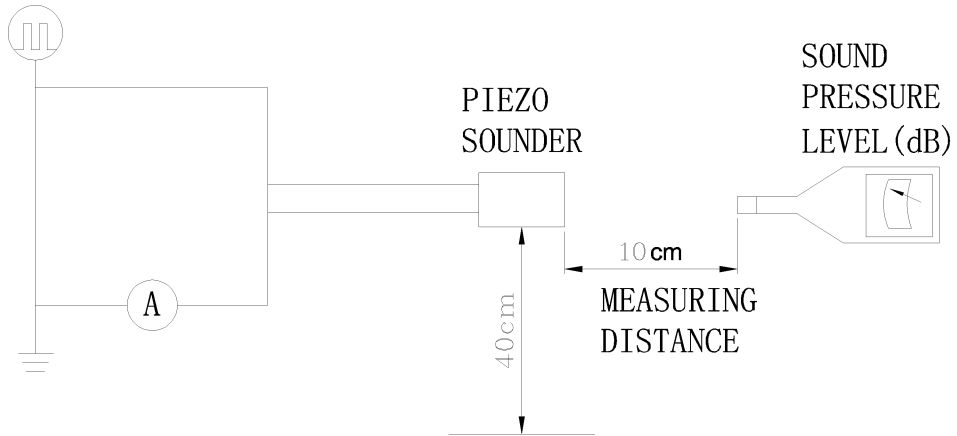
Model NO	GMC25125YB
Rated Voltage	3.6.0V
Operating Voltage	2.5.0~5.0V
Max.Rated Current	Max.80mA
Sound Pressure level(dB)at10cm/ 1000HZ	Min.85dB
Resonant Frequency	800Hz
Coil Resistance	$25 \pm 15\%$
Operating Temperature	$-20\text{ }^{\circ}\text{C} \sim +70\text{ }^{\circ}\text{C}$
Storage Temperature	$-30\text{ }^{\circ}\text{C} \sim +80\text{ }^{\circ}\text{C}$
Case material and color	PBT / Black

Measuring condition

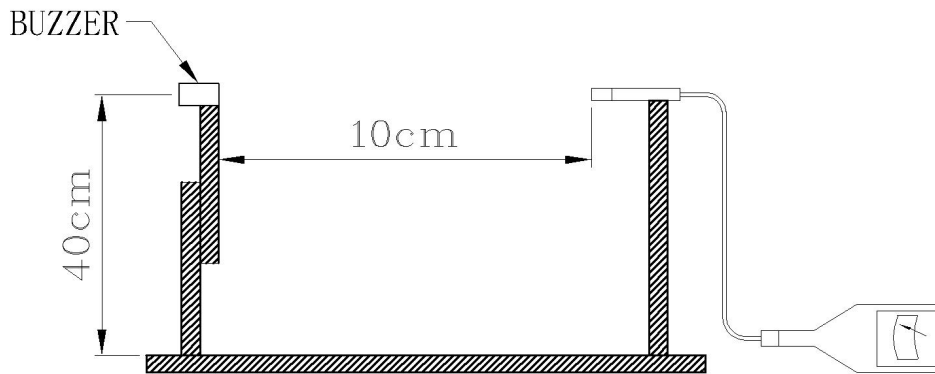
Part shall be measured under a condition (Temperature: $5 \sim 35^{\circ}\text{C}$, Humidity: $45\% \sim 85\%\text{R.H.}$, Atmospheric pressure: $860 \sim 1060\text{hPa}$) unless the standard condition (Temperature: $25 \pm 3^{\circ}\text{C}$, Humidity: $60 \pm 10\%\text{R.H.}$, Atmospheric pressure: $860 \sim 1060\text{hPa}$) is regulated to measure.

C: Acoustic Characteristics:

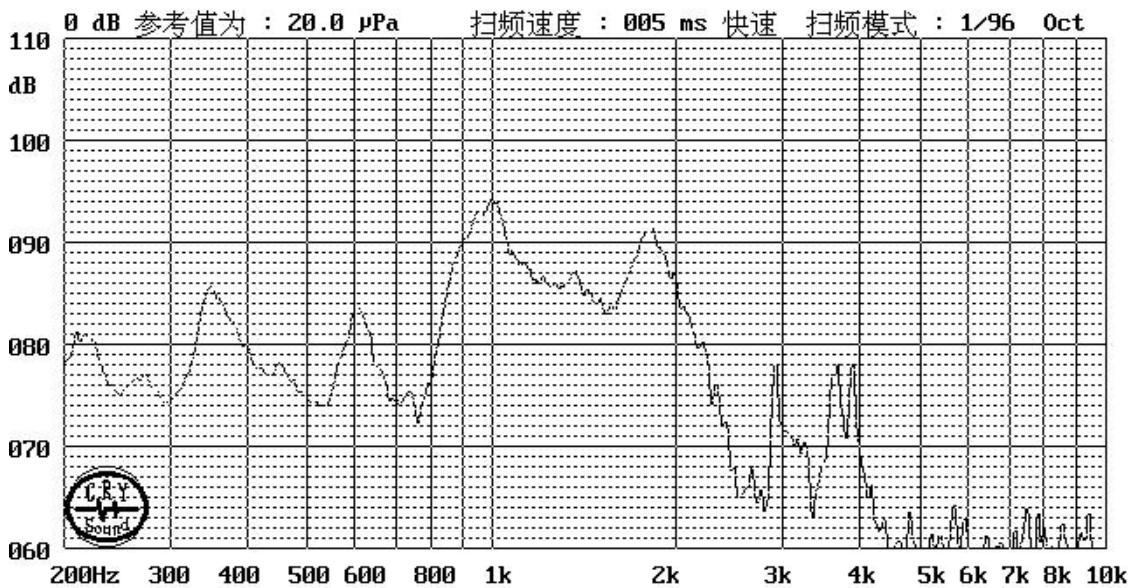
The oscillation frequency, current consumption and sound pressure are measured by the measuring instruments shown below



In the measuring test, buzzer is placed as follows:



D: Typical Frequency Response Curve



E: Reliability Test

After any following tests the part shall meet specifications without any degradation in appearance and performance except SPL. SPL shall not deviate more than -10 dB from the initial value

1. Ordinary Temperature Life Test

The part shall be subjected to 96 hours at $25 \pm 10^\circ\text{C}$. Input rated voltage Resonant frequency, 1/2 duty Square wave.

2. High Temperature Test

The part shall be capable of with standing a storage temperature of $+80^\circ\text{C}$ for 96 hours.

3. Low Temperature Test

The part shall be capable of with standing a storage temperature of -30°C for 96 hours.

4. Humidity Test

Temperature: $+40^\circ\text{C} \pm 3^\circ\text{C}$ Relative Humidity: 90% ~ 95% Duration: 48 hours and expose to room temperature for 6 hours

5. Temperature Shock Test

Temperature: 70°C /1hour → 25°C /3hours → -30°C /1hour → 25°C /3hours (1cycle)
Total cycle: 10 cycles

6. Drop Test

Standard Packaging From 120mm (Drop on hard wood or board of 5cm thick, three sides, six plain.)

7. Vibration Test

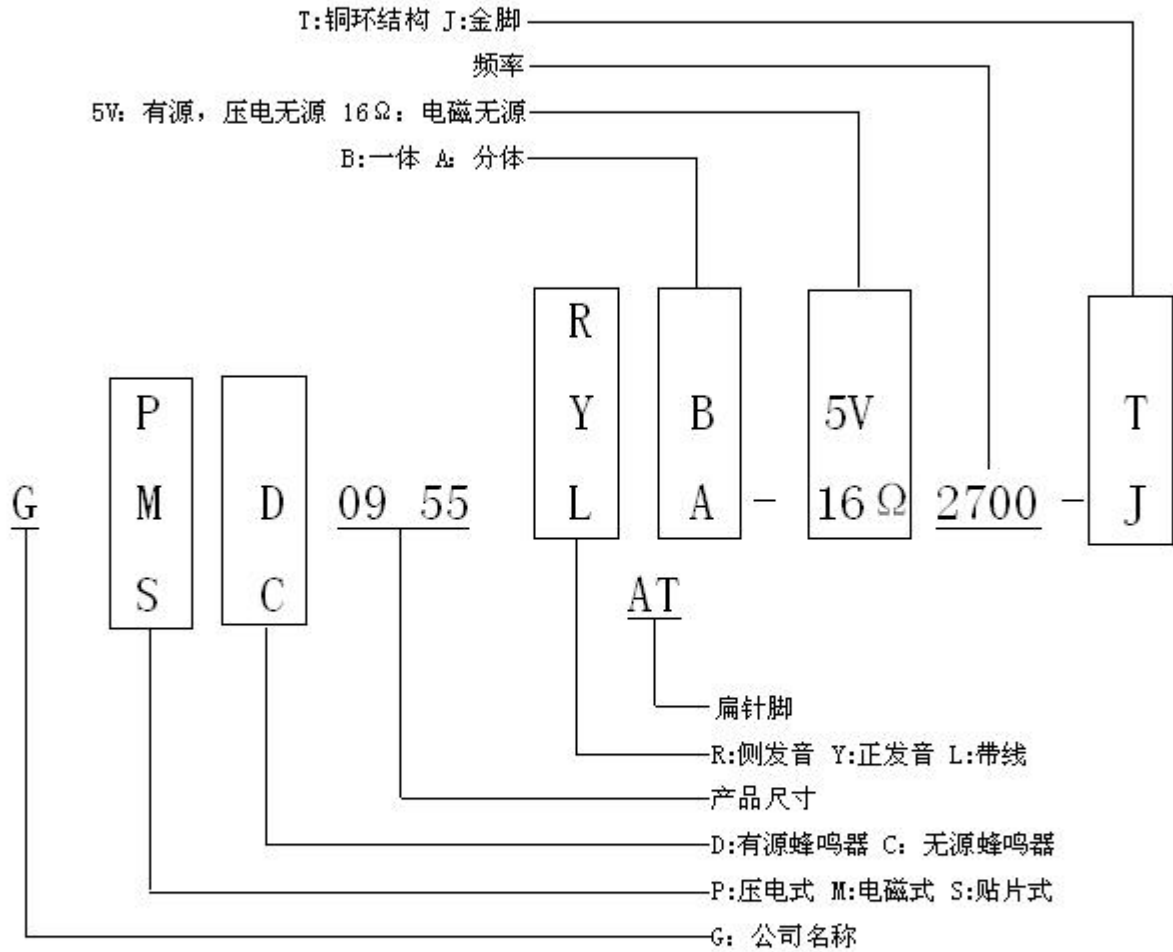
Vibration: 1000cycles /min. Amplitude: 1.5mm, Duration: 1 hour in each 3 axes

Note:

As this product is not protected from foreign material entering, please make sure that any foreign materials (e.g. magnetic powder, washing solvent, flux, corrosive gas) do not enter this product in your production processes. The functional degradation (e.g. SPL down) may occur if foreign material enter it.

产品命名（编号）说明：

蜂鸣器



注: 有源蜂鸣器用“ V_{oc} ”驱动;
 无源压电蜂鸣器用“ V_{p-p} ”驱动;
 无源电磁蜂鸣器用“ V_{o-p} ”驱动;