

## 800mA Lithium Ion Battery Linear Charger ME4055A

### General Description

ME4055A is a complete constant-current/constant voltage linear charger for single cell lithium-ion batteries. Furthermore the ME4055A is specifically designed to work within USB power specifications.

No external sense resistor is needed and no blocking diode is required due to the internal PMOSFET architecture. Thermal feedback regulates the charge current to limit the die temperature during high power operation or high ambient temperature. The charge voltage is fixed at 4.2V, and the charge current can be programmed externally with a single resistor. The ME4055A automatically terminates the charge cycle when the charge current drops to 1/10<sup>th</sup> the programmed value after the final float voltage is reached.

When the input supply (wall adapter or USB supply) is removed the ME4055A automatically enters a low current state dropping the battery drain current to less than 2 $\mu$ A. The ME4055A can be put into shutdown mode reducing the supply current to 55 $\mu$ A.

Other features include charge current monitor, undervoltage lockout, automatic recharge and a status.

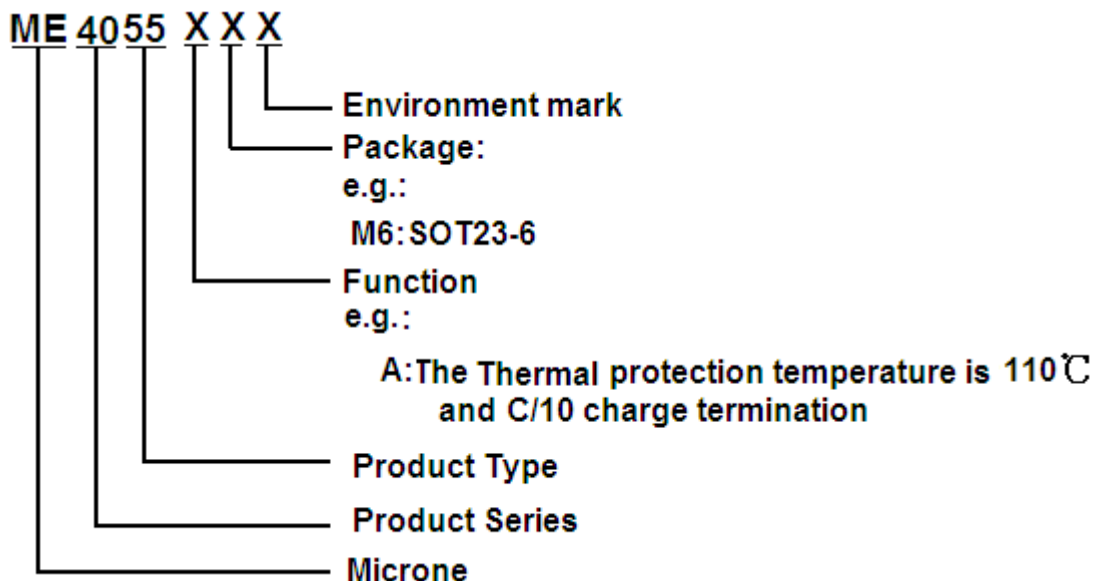
### Features

- Protection of battery cell reverse connection
- No MOSFET sense resistor or blocking diode required
- Complete Linear Charger in Thin SOT Package for Single Cell Lithium-Ion Batteries
- Constant- Current/Constant- Voltage operation with thermal regulation to maximize Rate Without risk of overheating.
- Preset 4.2V charge voltage with  $\pm 1\%$  accuracy
- Automatic Recharge
- Charges Single Cell Li-Ion Batteries Directly from USB Port
- C/10 charge termination
- 55 $\mu$ A supply current in shutdown
- 2.9V trickle current charge threshold
- Soft-Start limits inrush current
- Charge Status Output Pin
- Available in SOT23-6 Package

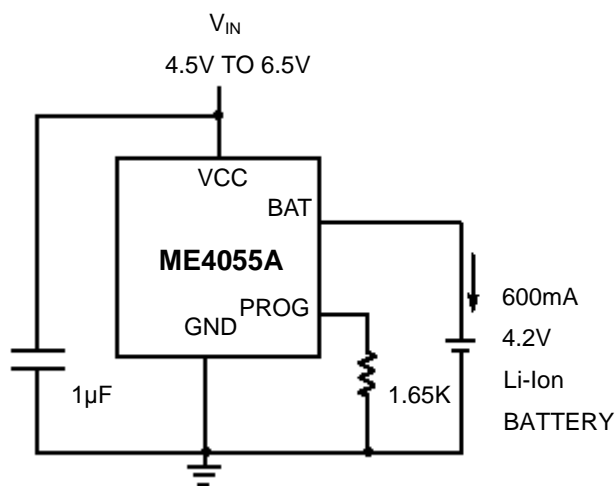
### Applications

- Cellular Telephones, PDAs, MP3 Players
- Charging Docks and Cradles
- Bluetooth Applications

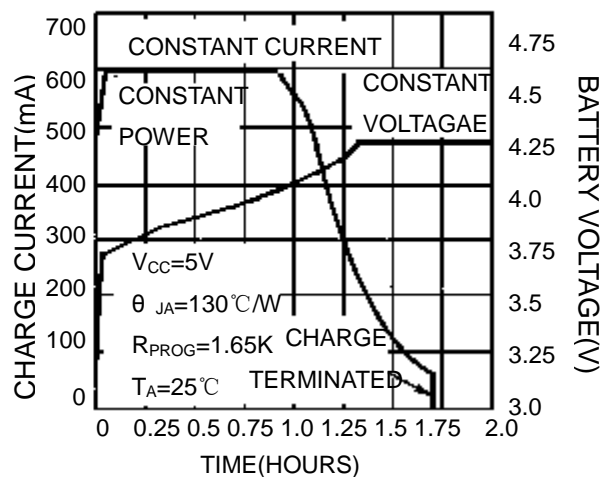
## Selection Guide



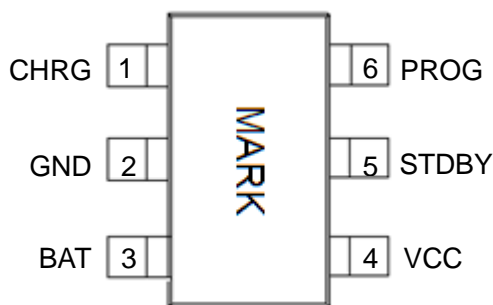
### 600mA Single Cell Li-Ion Charger



### Typical charge cycle (750mAh batter



## Pin Configuration



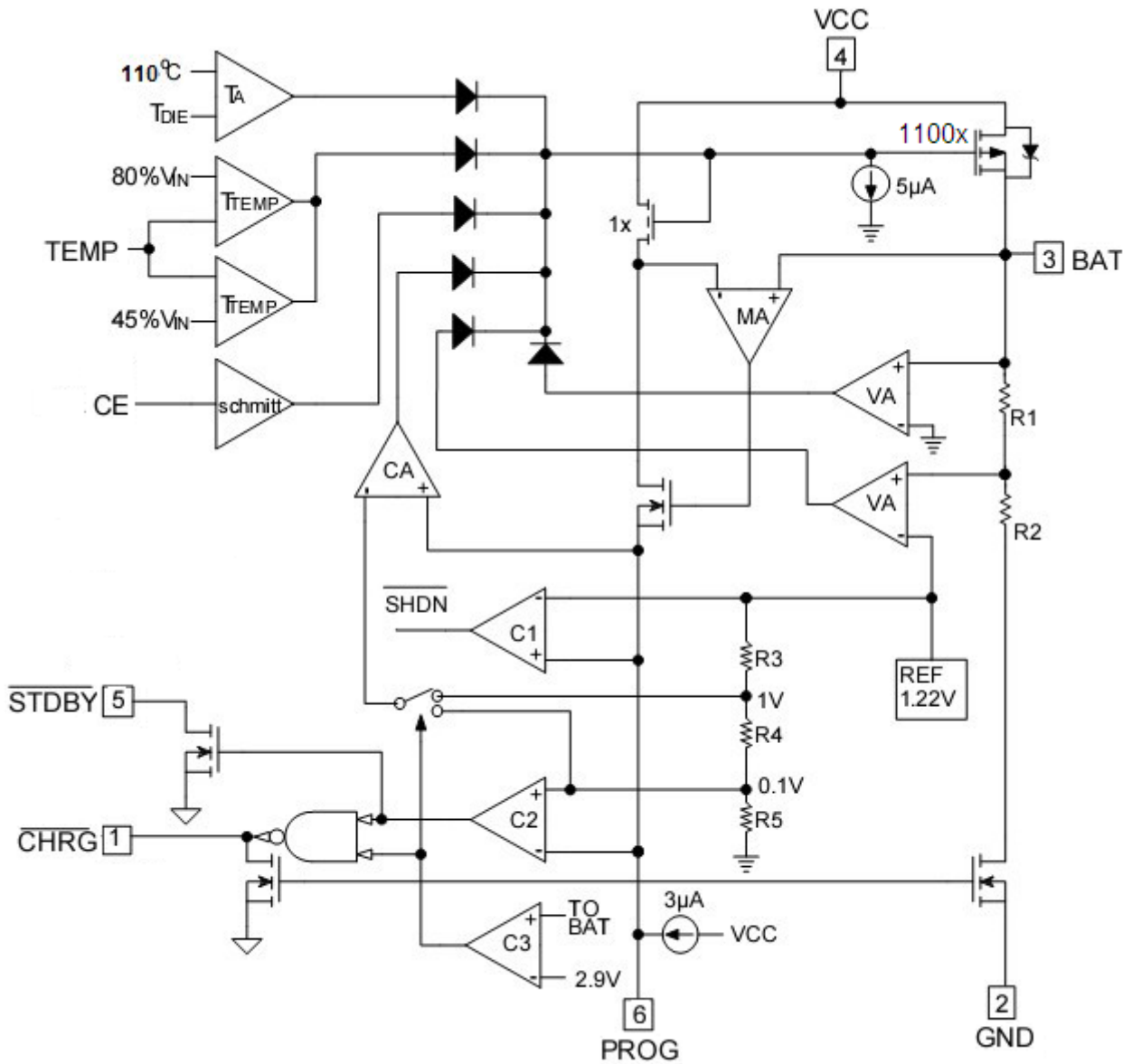
Package type: SOT23-6

## Pin Assignment

### ME4055AM6G

Pin Num.	Symbol	Function
1	CHRG	<b>Open-Drain charge status output</b> When the battery is being charged, the $\overline{\text{CHRG}}$ pin is pulled low by an internal switch, otherwise, $\overline{\text{CHRG}}$ pin is in high impedance state.
2	GND	<b>Ground</b>
3	BAT	<b>Battery connection Pin</b> Connect the positive terminal of the battery to this pin. Dropping BAT pin's current to less than 2 $\mu$ A when IC in disable mode or in sleep mode. BAT pin provides charge current to the battery and provides regulation voltage of 4.2V.
4	VCC	<b>Positive input supply voltage</b> Provides power to the internal circuit. When $V_{\text{CC}}$ drops to within 80mV of the BAT pin voltage, the ME4055A enters low power sleep mode, dropping $I_{\text{BAT}}$ to less than 2 $\mu$ A.
5	STDBY	<b>Charge terminated status output</b> STDBY is pulled low by an internal switch to indicate a battery charge terminated; this means Charge termination. Otherwise STDBY pin is in high impedance state.
6	PROG	<b>Constant Charge Current Setting and Charge Current Monitor Pin</b> The charge current is programmed by connecting a resistor $R_{\text{PROG}}$ from this pin to GND. When in precharge mode, the PROG pin's voltage is regulated to 0.1V. When charging in constant-current mode this pin's voltage is regulated to 1V. In all modes during charging, the voltage on this pin can be used to measure the charge current  using the following formula: $I_{\text{BAT}} = \frac{V_{\text{PROG}}}{R_{\text{PROG}}} * 1100$

Block Diagram



### Absolute Maximum Ratings

Parameter	Rating	Unit
Input supply voltage : $V_{CC}$	-0.3~6.5	V
PROG pin voltage	-0.3~ $V_{CC}+0.3$	V
BAT pin voltage	-0.3~6.5	V
$\overline{CHRG}$ pin voltage	-0.3~6.5	V
$\overline{STDBY}$ pin voltage	-0.3~6.5	V
BAT pin current	800	mA
PROG pin current	1200	$\mu$ A
Maximum junction temperature	145	$^{\circ}$ C
Operating ambient temperature : $T_{opa}$	-40~85	$^{\circ}$ C
Storage temperature : $T_{str}$	-65~125	$^{\circ}$ C
Soldering temperature and time	+260 (Recommended 10S)	$^{\circ}$ C

Caution: The absolute maximum ratings are rated values exceeding which the product could suffer physical damage. These values must therefore not be exceeded under any conditions.

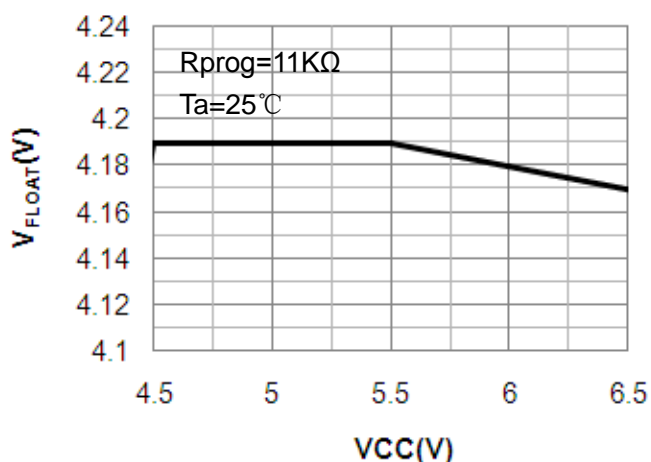
## Electrical Characteristics

Symbol	Parameter	Condition	Min	Typ.	Max	Unit
$V_{CC}$	Input supply voltage	•	4.0	5.0	6.5	V
$I_{CC}$ - $I_{BAT}$	static current	• Charge mode, $R_{PROG}=1.1K\Omega$	-	150	500	$\mu A$
		• Standby mode(charge end)	-	55	100	$\mu A$
		• Shutdown mode ( $R_{PROG}$ not connected, $V_{CC}<V_{BAT}$ , or $V_{CC}<V_{UV}$ )	-	55	100	$\mu A$
$V_{FLOAT}$	Regulated output voltage	$0^{\circ}C \leq T_A \leq 85^{\circ}C$	4.158	4.2	4.242	V
$I_{BAT}$	BAT pin current (The condition of current mode is $V_{BAT}=3.9V$ )	• $R_{PROG}=2.2K\Omega$ , current mode	450	500	550	mA
		• $R_{PROG}=1.1K\Omega$ , current mode	950	1000	1050	mA
		• Standby mode: $V_{BAT}=4.2V$	0	-2.5	-6	$\mu A$
		Shutdown mode, $R_{PROG}$ not connected	-	$\pm 1$	$\pm 2$	$\mu A$
		Sleep mode, $V_{CC}=0V$	-	-1	-2	$\mu A$
$I_{TRIKL}$	Trickle charge current	• $V_{BAT}<V_{TRIKL}$ , $R_{PROG}=1.1K\Omega$	120	130	140	mA
$V_{TRIKL}$	Trickle charge threshold voltage	$R_{PROG}=1.1K\Omega$ , $V_{BAT}$ rising	2.8	2.9	3.0	V
$V_{TRHYS}$	Trickle voltage hysteresis voltage	$R_{PROG}=1.1K\Omega$	150	200	250	mV
$V_{UV}$	$V_{CC}$ under voltage lockout threshold	• $V_{CC}$ from low to high	3.5	3.7	3.9	V
$V_{UVHYS}$	$V_{CC}$ under voltage lockout hysteresis	•	150	200	300	mV
$V_{ASD}$	$V_{CC}-V_{BAT}$ lockout threshold voltage	$V_{CC}$ from low to high	100	140	180	mV
		$V_{CC}$ from high to low	50	80	110	
$I_{TERM}$	termination current threshold	• $R_{PROG}=2.2K\Omega$	60	70	80	mA
		• $R_{PROG}=1.1K\Omega$	120	130	140	
$V_{PROG}$	PROG pin voltage	• $R_{PROG}=1.1K\Omega$ , current mode	0.9	1.0	1.1	V
$V_{CHRG}$	$\overline{CHRG}$ Pin output low voltage	$I_{\overline{CHRG}}=5mA$	-	0.3	0.6	V
$\Delta V_{RECHRG}$	Recharge battery threshold voltage	$V_{FLOAT}-V_{RECHRG}$	120	180	240	mV
$T_{LIM}$	Thermal protection temperature		-	110	-	$^{\circ}C$
$R_{ON}$	The resistance of power FET "ON" (between $V_{CC}$ and BAT)		-	650	-	m $\Omega$
$t_{SS}$	Soft-start time	$I_{BAT}=0$ to $I_{BAT}=1100V/R_{PROG}$	-	20	-	$\mu S$
$t_{RECHARGE}$	Recharge comparator filter time	$V_{BAT}$ from high to low	0.8	1.8	4	mS
$t_{TERM}$	Termination comparator filter time	$I_{BAT}$ below $I_{CHG}/10$	0.8	1.8	4	mS
$I_{PROG}$	PROG pin pull-up current		-	2.0	-	$\mu A$

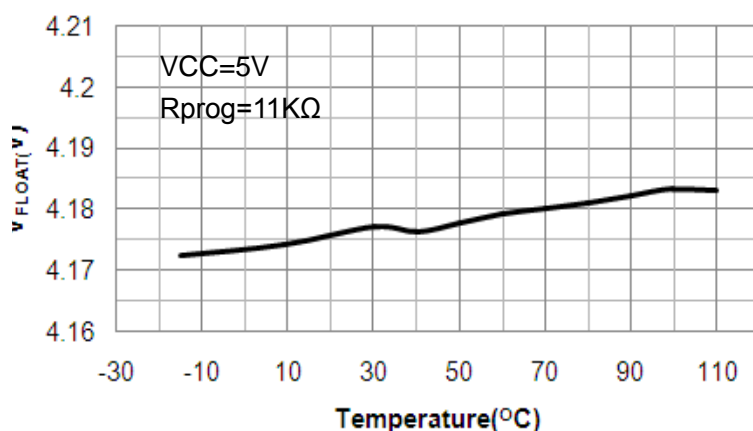
Note: The • denotes specifications which apply over the full operating temperature rang, otherwise specifications are at  $T_A=25^{\circ}C$ ,  $V_{CC}=5V$ , unless otherwise specified.

## Typical performance characteristics

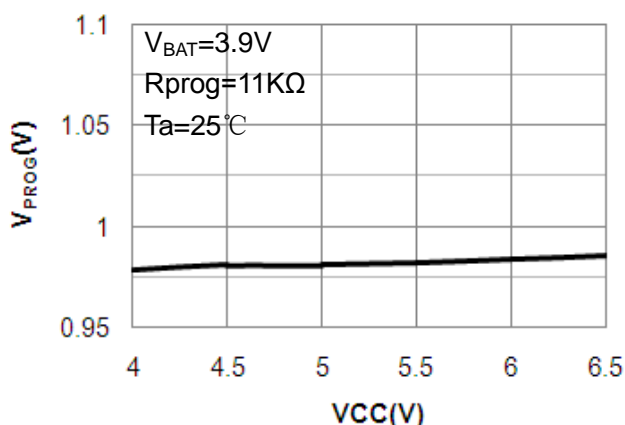
### $V_{\text{FLOAT}}$ VS $V_{\text{CC}}$



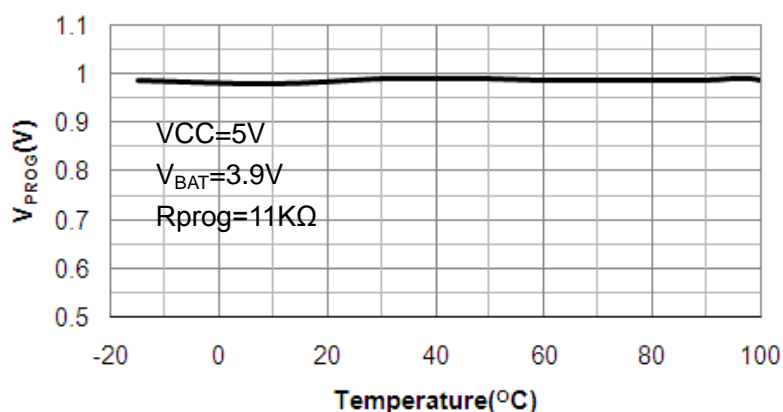
### $V_{\text{FLOAT}}$ VS Temperature



### Current mode, PROG Pin VS $V_{\text{CC}}$



### PROG Pin Voltage VS Temperature



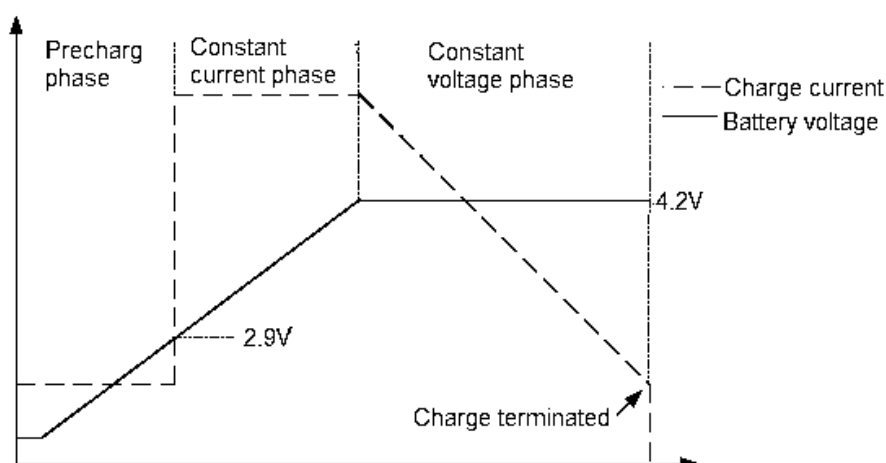
## Description of the Principle

The ME4055A is a complete constant-current/constant-voltage linear charger for single cell lithium-ion batteries. Constant-current/constant-voltage to charge battery by internal MOSFET. It can deliver up to 800mA of charge current. No blocking diode or external current sense resistor is required. ME4055A include one Open-Drain charge status Pin: Charge status indicator  $\overline{\text{CHRG}}$

The internal thermal regulation circuit reduces the programmed charge current if the die temperature attempts to rise above a preset value of approximately 110°C. This feature protects the ME4055A from excessive temperature, and allows the user to push the limits of the power handling capability of a given circuit board without risk of damaging the ME4055A or the external components. Another benefit of adopting thermal regulation is that charge current can be set according to typical, not worst-case, ambient temperatures for a given application with the assurance that the charger will automatically reduce the current in worst-case conditions.

The charge cycle begins when the voltage at the  $V_{\text{CC}}$  pin rises above the UVLO level, a current set resistor is connected from the PROG pin to ground. The  $\overline{\text{CHRG}}$  pin outputs a logic low to indicate that the charge cycle is on

going. At the beginning of the charge cycle, if the battery voltage is below 2.9V, the charge is in precharge mode to bring the cell voltage up to a safe level for charging. The charger goes into the fast charge constant-current mode once the voltage on the BAT pin rises above 2.9 V. In constant current mode, the charge current is set by  $R_{PROG}$ . When the battery approaches the regulation voltage 4.2V, the charge current begins to decrease as the ME4055A enters the constant-voltage mode. When the current drops to charge termination threshold, the charge cycle is terminated, and  $\overline{CHRG}$  pin assumes a high impedance state to indicate that the charge cycle is terminated. The charge termination threshold is 10% of the current in constant current mode. To restart the charge cycle, remove the input voltage and reapply it. The charge cycle can also be automatically restarted if the BAT pin voltage falls below the recharge threshold. The on-chip reference voltage, error amplifier and the resistor divider provide regulation voltage with 1% accuracy which can meet the requirement of lithium-ion and lithium polymer batteries. When the input voltage is not present, or input voltage is below  $V_{BAT}$ , the charger goes into a sleep mode, dropping battery drain current to less than 3 $\mu$ A. This greatly reduces the current drain on the battery and increases the standby time. The charging profile is shown in the following figure:



## Programming charge current

The charge current is programmed using a single resistor from the PROG pin to ground. The program resistor and the charge current are calculated using the following equations.:

$$R_{PROG} = \frac{1100}{I_{BAT}} \text{ (error } \pm 10\% \text{)}$$

In application, according the charge current to determine  $R_{PROG}$ , the relation between  $R_{PROG}$  and charge current can reference the following chart:

$K = \frac{1100}{R_{PROG} \times I_{BAT}}$	$I_{BAT}$ (mA)	$R_{PROG}$ (K $\Omega$ )
0.9	30	40
0.75	60	24
0.8	114	12
0.9	305	4



1	650	1.7
1.1	1000	1

Note:

- K is the coefficient of variation, It generally is 1, but due to the vary operating environment, K is varied in the range: 0.8~1.4
- The up form is just for reference, it will varied  $\pm 10\%$  according to the heat dissipation of the using PCB board;
- The footprint copper pads should be as wide as possible and expand out to larger copper areas to spread and dissipate the heat to the surrounding ambient.

## Charge termination

A charge cycle is terminated when the charge current falls to  $1/10^{\text{th}}$  the programmed value after the final float voltage is reached. This condition is detected by using an internal filtered comparator to monitor the PROG pin. When the PROG pin voltage falls below 100mV for longer than  $t_{\text{TEMP}}$  (typically 1.8mS), Charging is terminated. The charge current is latched off and the ME4055A enters standby mode, where the input supply current drops to 55 $\mu$ A (Note:C/10 termination is disabled in trickle charging and thermal limiting modes).

When charging, transient loads on the BAT pin can cause the PROG pin to fall below 100mV for short periods of time before the DC charge current has dropped to  $1/10^{\text{th}}$  the programmed value. The 1.8mS filter time ( $t_{\text{TEMP}}$ ) on the termination comparator ensures that transient loads of this nature do not result in premature charge cycle termination. Once the average charge current drops below  $1/10^{\text{th}}$  the programmed value, the ME4055A terminated the charge cycle and ceases to provide any current through the BAT pin. In this state all loads on the BAT pin must be supplied by the battery.

The ME4055A constantly monitors the BAT pin voltage in standby mode. If this voltage drops below the 4.02V recharge threshold ( $V_{\text{RECHRG}}$ ), another charge cycle begins and current is once again supplied to the battery. To manually restart a charge cycle when in standby mode, the input voltage must be removed and reapplied or the charger must be shut down and restarted using the PROG pin. Figure 1 shows the state diagram of a typical charge cycle.

## Charge status indicator

ME4055A has two open-drain status indicator output  $\overline{\text{CHRG}}$  and  $\overline{\text{STDBY}}.$   $\overline{\text{CHRG}}$  is pull-down when the ME4055A in a charge cycle. In other status  $\overline{\text{CHRG}}$  in high impedance.  $\overline{\text{CHRG}}$  and  $\overline{\text{STDBY}}$  are all in high impedance when the battery out of the normal temperature.

Represent in failure state, when TEMP pin in typical connecting, or the charger with no battery: red LED and green LED all don't light. The battery temperature sense function is disabled by connecting TEMP pin to GND. If battery is not connected to charger,  $\overline{\text{CHRG}}$  pin outputs a PWM level to indicate no battery. If BAT pin connects a 10 $\mu$ F capacitor, the frequency of  $\overline{\text{CHRG}}$  flicker about 1-4S, If not use status indicator should set status indicator output connected to GND.

charger's status	Red led $\overline{\text{CHRG}}$	Green led $\overline{\text{STDBY}}$
Charging	light	dark
Battery in full state	dark	light
Under-voltage, battery's temperature is to high or too low, or not connect to battery(use TEMP)	dark	dark
BAT pin is connected to 10 $\mu$ F capacitor, No battery mode (TEMP=GND)	Green LED bright, Red LED flicker F=1-4 S (At this time, reverse-battery, the light does not shine, this phenomenon is normal. Such a case, after the battery is properly connected to the indicator light back to light and flicker.)	

## Thermal limiting

An internal thermal feedback loop reduces the programmed charge current if the die temperature attempts to rise above a preset value of approximately 110°C . The feature protects the ME4055A from excessive temperature and allows the user to push the limits of the power handling capability of a given circuit board without risk of damaging the ME4055A. The charge current can be set according to typical (not worst-case) ambient temperature with the assurance that the charger will automatically reduce the current in worst-case conditions.

## Under Voltage lockout (UVLO)

An internal under voltage lockout circuit monitors the input voltage and keeps the charger in shutdown mode until V<sub>CC</sub> rises above the under voltage lockout threshold . If the UVLO comparator is tripped, the charger will not come out of shutdown mode until V<sub>CC</sub> rises 140mV above the battery voltage.

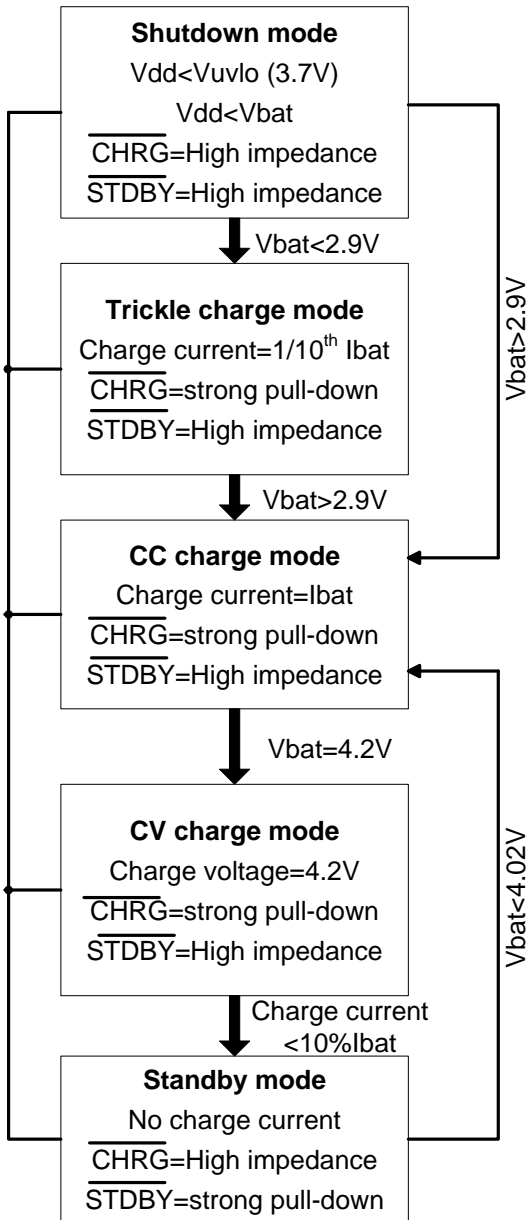
## Manual terminate

At any time of the cycle of charging will put the ME4055A into disable mode to remove R<sub>PROG</sub> ( PROG pin is float ) . This made the battery drain current to less than 2 $\mu$ A and reducing the supply current to 55 $\mu$ A. To restart the charge cycle, connect a programming resistor.

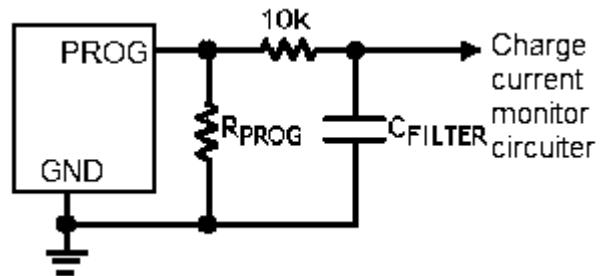
If ME4055A in the under voltage Lockout mode, the  $\overline{\text{CHRG}}$  is in high impedance state, or V<sub>CC</sub> is above BAT pin 140mV, or V<sub>CC</sub> is too low.

## Auto restart

Once charge is been terminated, ME4055A immediately use a 1.8ms filter time ( t<sub>RECHARGE</sub> ) on the termination comparator to constant monitor the voltage on BAT pin. If this voltage drops below the 4.02V recharge threshold (about between 80% and 90% of V<sub>CC</sub>), another charge cycle begins. This ensured the battery maintained (or approach) to a charge full status and avoid the requirement of restarting the periodic charging cycle. In the recharge cycle,  $\overline{\text{CHRG}}$  pin enters a pulled down status.



**Fig.1 State diagram of a typical charge cycle**



**Fig.2 Isolating with capacitive load on PROG Pin**

### Stability Considerations

In constant-current mode, the PROG pin is in the feedback loop, not the battery. The constant-current mode stability is affected by the impedance at the PROG pin. With no additional capacitance on the PROG pin, the charger is stable with program resistor values as high as 20KΩ. However, additional capacitance on this node reduces the maximum allowed program resistor. Therefore, if I<sub>PROG</sub> pin is loaded with a capacitance C, the following equation should be used to calculate the maximum resistance value for R<sub>PROG</sub>:

$$R_{PROG} \leq \frac{1}{2\pi \cdot 10^5 \cdot C_{PROG}}$$

As user, may think charge current is important, not instantaneous current. For example, to run a low current mode switch power which parallel connected with battery, the average current from BAT pin usually importance to instantaneous current. In this case, In order to measure average charge current or isolate capacitive load from I<sub>PROG</sub> pin, a simple RC filter can be used on PROG pin as shown in Figure 2. In order to ensure the stability add a 10KΩ resistor between PROG pin and filter capacitor.

## Power dissipation

The conditions that cause the ME4055A to reduce charge current through thermal feedback can be approximated by considering the power dissipated in the IC. Nearly all of this power dissipation is generated by the internal MOSFET-this is calculated to be approximately:  $P_D = (V_{CC} - V_{BAT}) \times I_{BAT}$

The approximate ambient temperature at which the thermal feedback begins to protect the IC is:

$$T_A = 110^\circ\text{C} - P_D \theta_{JA}; \quad T_A = 110^\circ\text{C} - (V_{CC} - V_{BAT}) \times I_{BAT} \times \theta_{JA}$$

For example: The ME4055A with 5V supply voltage through programmable provides full limiting current 800mA to a charge lithium-ion battery with 3.75V voltage. If  $\theta_{JA}$  is  $150^\circ\text{C}/\text{W}$  (reference to PCB layout considerations), When ME4055A begins to decrease the charge current, the ambient temperature about:

$$T_A = 110^\circ\text{C} - (5\text{V} - 3.75\text{V}) \times (800\text{mA}) \times 150^\circ\text{C}/\text{W}$$

$$T_A = 110^\circ\text{C} - 0.5\text{W} \times 150^\circ\text{C}/\text{W} = 110^\circ\text{C} - 75^\circ\text{C} \quad T_A = 35^\circ\text{C}$$

ME4055A can work in the condition of the temperature is above  $35^\circ\text{C}$ , but the charge current will pull down to below 800mA. In a fixed ambient temperature, the charge current is calculated to be approximately :

$$I_{BAT} = \frac{110^\circ\text{C} - T_A}{(V_{CC} - V_{BAT}) \times \theta_{JA}}$$

Just as Description of the Principle part talks about so, the current on PROG pin will reduce in proportion to the reduced charge current through thermal feedback. In ME4055A design applications don't need to considerate the worst case of thermal condition, this point is importance, because if the junction temperature up to  $110^\circ\text{C}$ , IC will auto reduce the power dissipation.

## Thermal considerations

Because of the small size of the thin SOT23-6 package, it is important to use a good thermal PC board layout to maximize the available charge current. The thermal path for the heat generated by the IC is from the die to the copper lead frame, through the package leads, (especially the ground lead) to the PC board copper. The PC board copper is the heat sink. The footprint copper pads should be as wide as possible and expand out to larger copper areas to spread and dissipate the heat to the surrounding ambient. Other heat sources on the board, not related to the charger, must also be considered when designing a PC board layout because they will affect overall temperature rise and the maximum charge current.

## Add thermal regulation current

It will effective to decrease the power dissipation through reduce the voltage of both ends of the inner MOSFET. In the thermal regulation, this action of transporting current to battery will raise. One of the measure is through an external component(as a resistor or diode) to consume some power dissipation.

For example: The ME4055A with 5V supply voltage through programmable provides full limiting current 800mA to a charge lithium-ion battery with 3.75V voltage. If  $\theta_{JA}$  is  $105^\circ\text{C}/\text{W}$ , so that at  $25^\circ\text{C}$  ambient temperature, the charge

current is calculated to be approximately :  $I_{BAT} = \frac{110^\circ\text{C} - 25^\circ\text{C}}{(V_S - I_{BAT} \times R_{CC} - V_{BAT}) \times \theta_{JA}}$

In order to increase the thermal regulation charge current, can decrease the power dissipation of the IC through reducing the voltage (as show fig.3) of both two ends of the resistor which connecting in series with a 5V AC adapter.

With square equation to calculate  $I_{BAT}$  :

$$I_{BAT} = \frac{(V_S - V_{BAT}) - \sqrt{(V_S - V_{BAT})^2 - \frac{4R_{CC}(110^\circ\text{C} - T_A)}{\theta_{JA}}}}{2R_{CC}}$$

If  $R_{CC}=0.25\Omega$ ,  $V_S=5V$ ,  $V_{BAT}=3.75V$ ,  $T_A=25^\circ C$  and  $\theta_{JA}=105^\circ C/W$ , we can calculate the thermal regulation charge current:  $I_{BAT}=764mA$ . It means that in this structure it can output 800mA full limiting charge current at more high ambient temperature environment.

Although it can transport more energy and reduce the charge time in this application, but actually spread charge time, if ME4055A stay in under-voltage state, when  $V_{CC}$  becomes too low in voltage mode. Fig.4 shows how the voltage reduced with increase  $R_{CC}$  value in this circuit. This technique will act the best function when in order to maintain the minimize the dimension of the components and avoid voltage decreased to minimize  $R_{CC}$ .

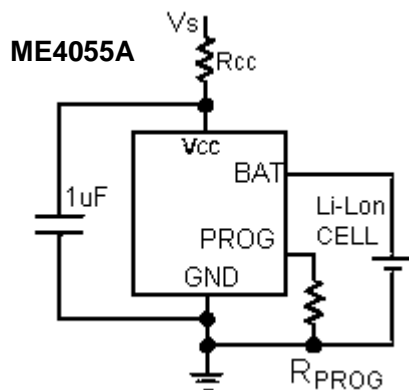


Fig.3:A circuit to maximum the thermal regulation charge current

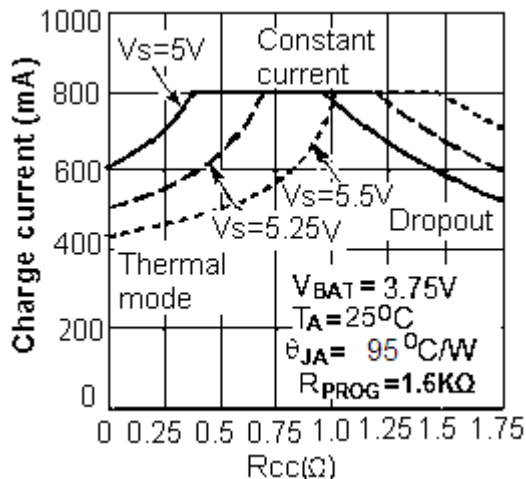


Fig.4:The relationship curve between charge current with  $R_{CC}$

### $V_{CC}$ bypass capacitor

Many types of capacitors can be used for input bypassing, however, caution must be exercised when using multilayer ceramic capacitors. Because of the self-resonant and high Q characteristics of some types of ceramic capacitors, high voltage transients can be generated under some start-up conditions, such as connecting the charger input to a live power source. Adding a  $1.5\Omega$  resistor in series with a ceramic capacitor will minimize start-up voltage transients.

### Charging Current Soft Start

ME4055A includes a soft start circuit which used to maximize to reduce the surge current in the begging of charge cycle. When restart a new charge cycle, the charging current ramps up from 0 to the full charging current within  $20\mu s$ . In the start process it can maximize to reduce the action which caused by surge current load.

### USB and Wall Adapter Power

ME4055A allows charging from a USB port, a wall adapter can also be used to charge Li-Ion/Li-polymer batteries. Figure 5 shows an example of how to combine wall adapter and USB power inputs. A P-channel MOSFET, M1, is used to prevent back conducting into the USB port when a wall adapter is present and Schottky diode, D1, is used to prevent USB power loss through the  $1K\Omega$  pull-down resistor.

Generally, AC adaptor is able to provide bigger much current than the value of specific current limiting which is 500mA for USB port. So can rise charge current to 600mA with using a N-MOSFET (MN1) and an additional set resistor value as high as  $10K\Omega$ .

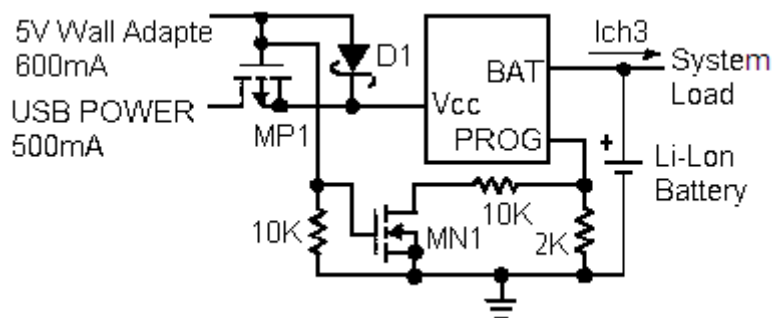
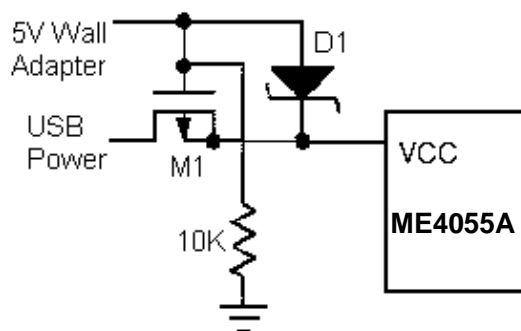


Fig.5:Combining Wall Adapter and USB Power

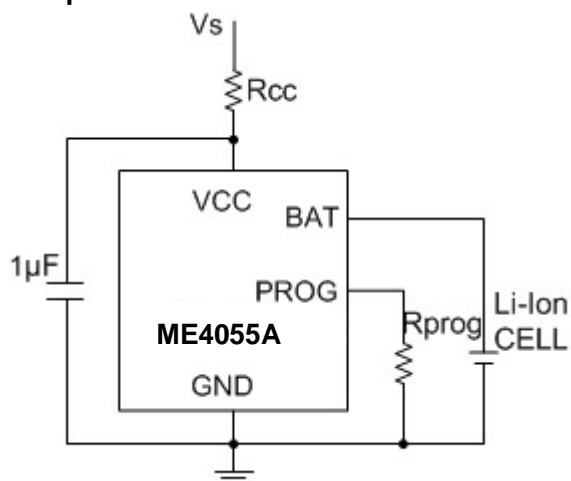
## Typical Application

Mainly used in Cellular telephones, MP3, MP4 players, digital still cameras, electronic dictionary, GPS, portable devices and vary chargers.

### 1. Suitable for the application of USB power and the charge of wall adapter



### 2. Add a resistor for power dissipation

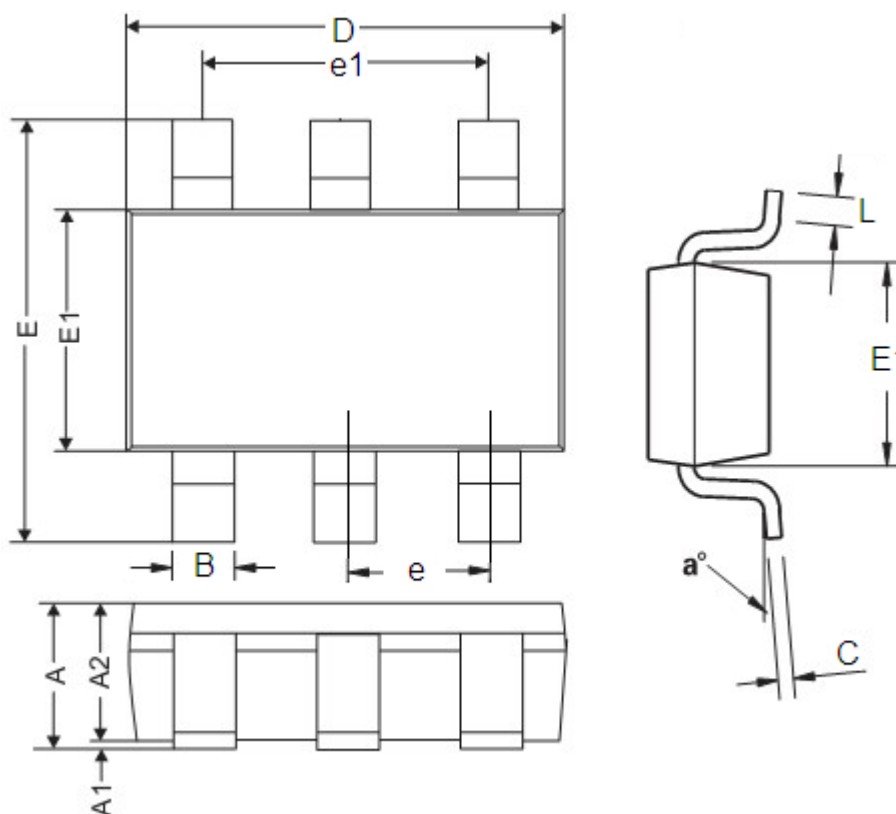


## Board Layout Considerations

- $R_{PROG}$  at PROG pin should be as close to ME4055A as possible, also the parasitic capacitance at PROG pin should be kept as small as possible.
- The capacitance at  $V_{CC}$  pin and BAT pin should be as close to ME4055A as possible.
- It is very important to use a good thermal PC board layout to maximize charging current. The thermal path for the heat generated by the IC is from the die to the copper lead frame through the package lead (especially the ground lead) to the PC board copper, the PC board copper is the heat sink. The footprint copper pads should be as wide as possible and expand out to larger copper areas to spread and dissipate the heat to the surrounding ambient. Feed through vias to inner or backside copper layers are also useful in improving the overall thermal performance of the charger. Other heat sources on the board, not related to the charger, must also be considered when designing a PC board layout because they will affect overall temperature rise and the maximum charge current.
- The ability to deliver maximum charge current under all conditions require that the exposed metal pad on the back side of the ME4055A package be soldered to the PC board ground. Failure to make the thermal contact between the exposed pad on the backside of the package and the copper board will result in larger thermal resistance.

## Packaging Information:

Package type:SOT23-6 Unit:mm(inch)



DIM	Millimeters		Inches	
	Min	Max	Min	Max
A	0.9	1.45	0.0354	0.0570
A1	0	0.15	0	0.0059
A2	0.9	1.3	0.0354	0.0511
B	0.2	0.5	0.0078	0.0196
C	0.09	0.26	0.0035	0.0102
D	2.7	3.10	0.1062	0.1220
E	2.2	3.2	0.0866	0.1181
E1	1.30	1.80	0.0511	0.0708
e	0.95REF		0.0374REF	
e1	1.90REF		0.0748REF	
L	0.10	0.60	0.0039	0.0236
a°	0°	30°	0°	30°



- The information described herein is subject to change without notice.
- Nanjing Micro One Electronics Inc is not responsible for any problems caused by circuits or diagrams described herein whose related industrial properties, patents, or other rights belong to third parties. The application circuit examples explain typical applications of the products, and do not guarantee the success of any specific mass-production design.
- Use of the information described herein for other purposes and/or reproduction or copying without the express permission of Nanjing Micro One Electronics Inc is strictly prohibited.
- The products described herein cannot be used as part of any device or equipment affecting the human body, such as exercise equipment, medical equipment, security systems, gas equipment, or any apparatus installed in airplanes and other vehicles, without prior written permission of Nanjing Micro One Electronics Inc.
- Although Nanjing Micro One Electronics Inc exerts the greatest possible effort to ensure high quality and reliability, the failure or malfunction of semiconductor products may occur. The user of these products should therefore give thorough consideration to safety design, including redundancy, fire-prevention measures, and malfunction prevention, to prevent any accidents, fires, or community damage that may ensue.