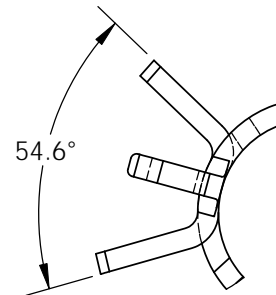
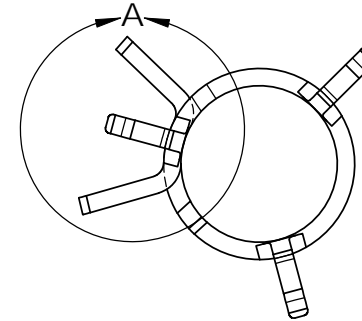
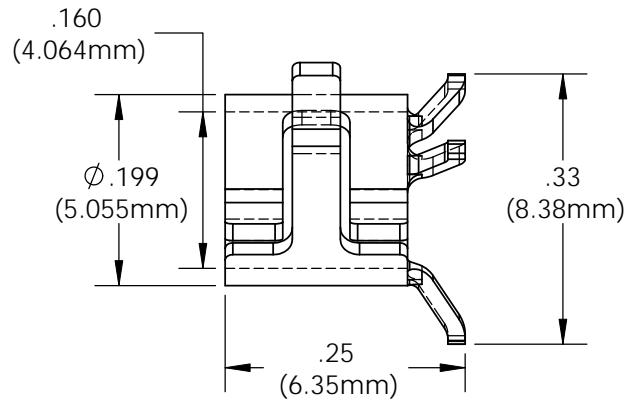


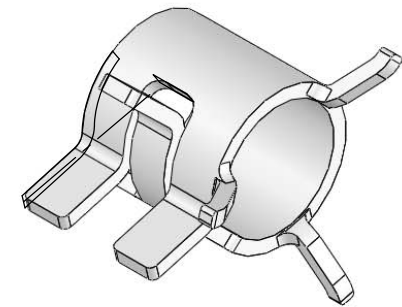
NOTES:

- 1) FINISH: Nickel Plate
- 2) U.S. & Foreign Pat. Issued & Pend.

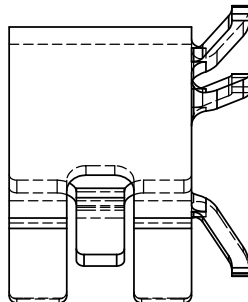
REVISIONS				
ECN #	REV	DESCRIPTION	DATE	INITIALS
	N/A	INITIAL RELEASE	2/17/99	JS
	A	CHANGE R.005 TO R.015;P/N WAS CLV NOW RTN	5/00	JS
	B	CHANGE ϕ .090 TO ϕ .070	6/28/02	JS
	001	REVISED PER ECR111009AZ01	2/16/10	KH



DETAIL A
SCALE 6 : 1



ISOMETRIC VIEW



UNLESS OTHERWISE SPECIFIED DIMENSIONS ARE IN INCHES: ANGLES DECIMALS ± 1' .X ±.020 .XX ±.010 FINISH .XXX ±.005 BREAK ALL CORNERS AND SHARP EDGES .050 MAX		MATERIAL		VISUAL COMMUNICATIONS COMPANY 190 Bosstick Boulevard, Suite 101 San Marcos, CA 92069 USA Phone (760) 560-1300 Fax (760) 560-1301 email vccsales@vccite.com		
		SPRING STEEL (C1050)				
THIRD ANGLE PROJECTION		FINISH		TITLE: <h3>RTN 250</h3>		
		SEE NOTES				
PROPRIETARY AND CONFIDENTIAL THE INFORMATION CONTAINED IN THIS DRAWING IS THE SOLE PROPERTY OF VISUAL COMMUNICATIONS COMPANY, INC. ANY REPRODUCTION IN PART OR AS A WHOLE WITHOUT THE WRITTEN PERMISSION OF VISUAL COMMUNICATIONS COMPANY, INC. IS PROHIBITED.		APPROVALS	DATE	SIZE	DWG. NO.	REV
		DRAWN K.Howard	2/16/10	A	RTN 250	001
		CHECKED DPZ	2/22/10	SCALE: 5:1		SHEET 1 OF 1
		DO NOT SCALE DRAWING				

Mouser Electronics

Authorized Distributor

Click to View Pricing, Inventory, Delivery & Lifecycle Information:

VCC:

[RTN_250](#)