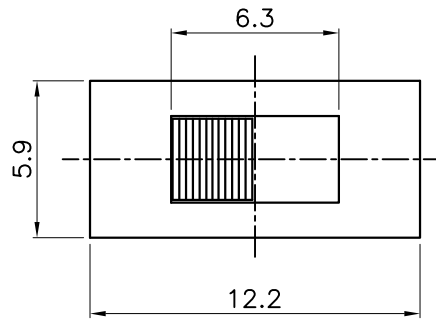
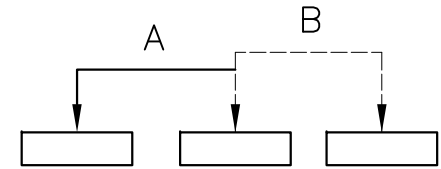


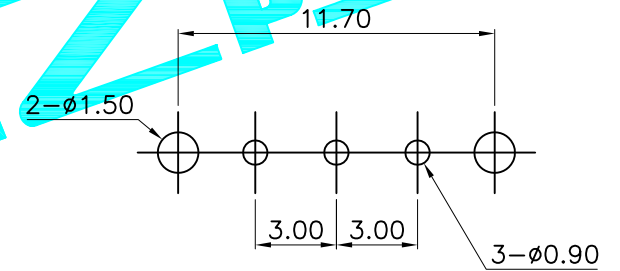
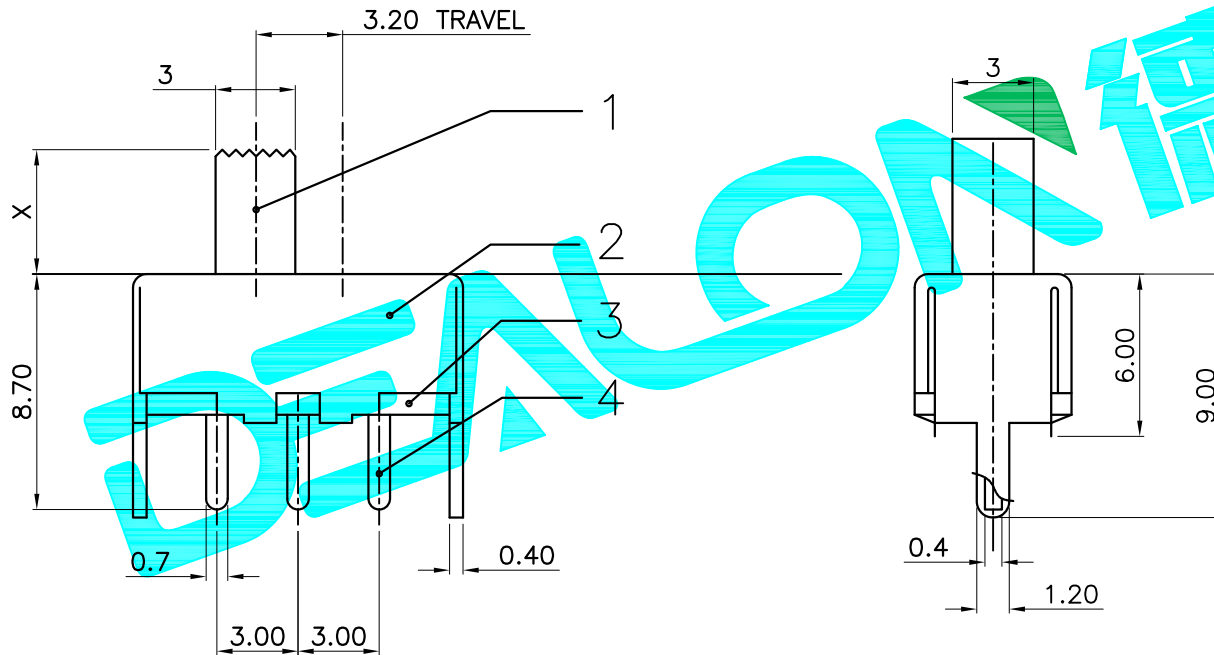
CAD FILE:



X	
PART NO	vigor
2	G2
3	G3
4	G4
5	G5
6	G6
7	G7
8	G8



Circuit Diagram



PCB Layout(Pattern side)

⑥	Contact	1	Phosphor Bronze	Ag Plated
⑤	Spring	1	Steel Wire	Temper
④	Terminal	3	Brass Strip	Ag Plated
③	Base	1	Phenolic Resin	Natural
②	Frame	1	Spcc	Ni Plated
①	Knob	1	POM	Black
ITEM	PART NAME	QTY.	MATERIAL	FINISHING

APPROVALS

DATE

DRAWN G.M.Chen 2014/12/12

CHECKED

APPROVALS

TOLERANCES ARE

30~PL: ±0.30
10~30 ±0.20
5~10 ±0.15
~ 5 ±0.10

ANGLE

UNIT: mm

DEALON 德之隆®
ELECTRONICS CO.,LTD

TITLE: VERTICAL SLIDE SWITCHES

PART NO. SS-12F44-Gxx

SCALE: 1:1 SHEET 1 OF 1

DRAWING NO. PROJ:

ECN NO.	REV.	DATE.	DESCRIPTION.	CHANGE.	CHECK.	APPRO.
	A		NEW			