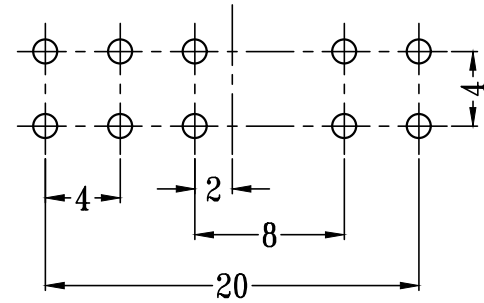
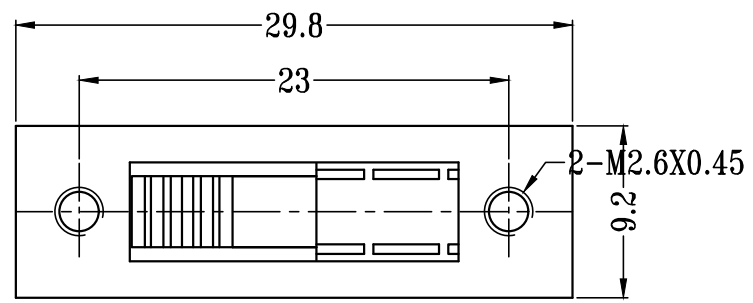


SS-24H03-GXXX

直柄 G-Switch P/N

- G=020 (2.0) G=030 (3.0)
- G=040 (4.0) G=050 (5.0)
- G=055 (5.5) G=060 (6.0)
- G=065 (6.5) G=070 (7.0)
- G=075 (7.5) G=080 (8.0)
- G=085 (8.5) G=090 (9.0)
- G=095 (9.5) G=100 (10.0)



P.C.B. LAYOUT
BOTTOM VIEW

G-Switch Specification:
 RATING (额定值) : DC250V 0.5A
 CONTACT RESISTANCE 接触电阻: ≤70mΩ
 INSULATION RESISTANCE 绝缘电阻: ≥100mΩ
 DIELECTRIC STRENGTH 耐电压: AC 500V for 1 minute
 TIMING (时间特性) :SHORTING



	G-Switch Electronic Technology CO.,Ltd.		
	DESIGN 陈锋枫	DATE 2016.05.29	TITLE:
Unless otherwise specified, Tolerance: X. ±0.30 X.x ±0.20 X.xx ±0.15 X.xxx ±0.10 Angles ±3°	CHECKED	DATE	SS-24H03-GXXX
	APPROVED	DATE	
	http://www.dg-switch.com		REV.: X1
	TEL:0769-82388879		SCALE: 4:1
			UNIT: mm
			SIZE: A4
			SHEET: 1/1