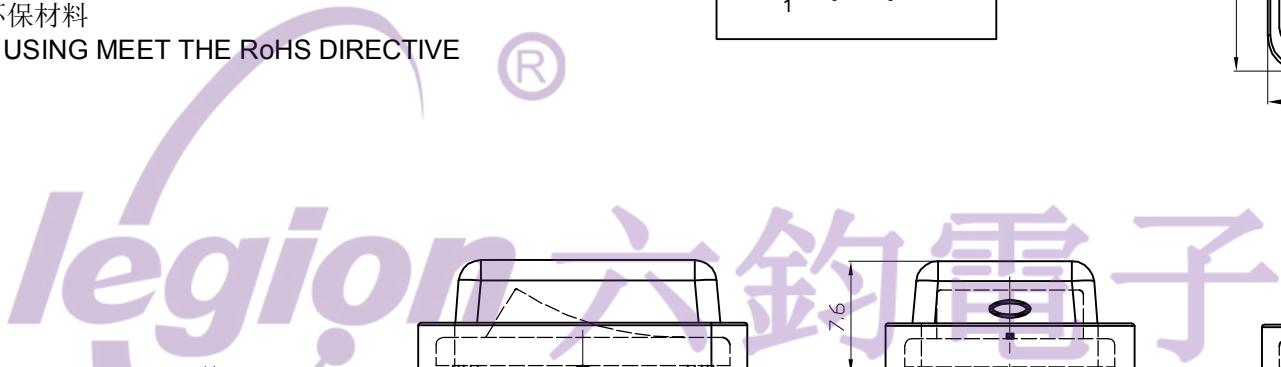
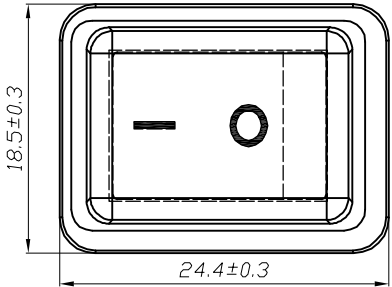
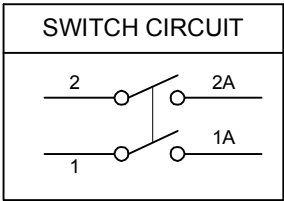
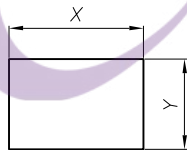


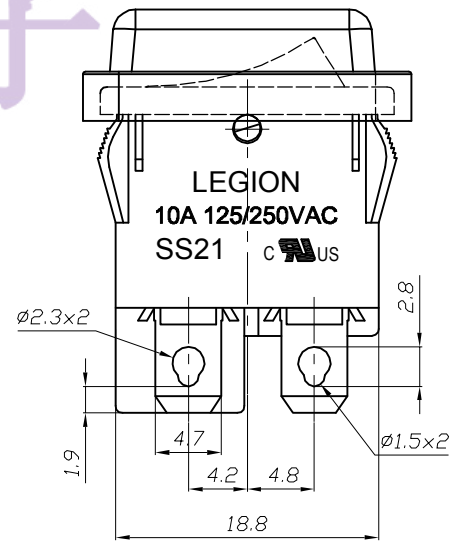
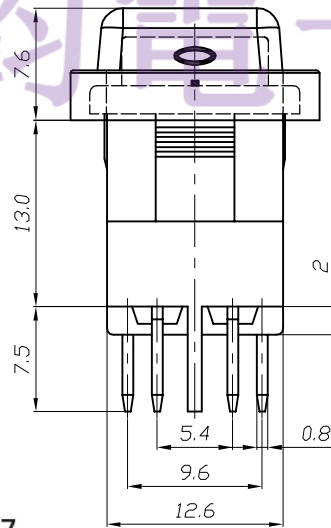
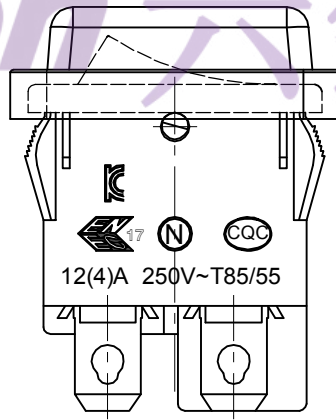
1. 电路 CIRCUIT: ON/OFF
2. 额定值 RATING: 10A 125/250VAC (UL; C-UL)  
12(4)A 250V~T85/55 (ENEC17; NEMKO; CQC; KC)
3. 接触电阻 CONTACT RESISTANCE: <50mΩ
4. 绝缘阻抗 INSULATION RESISTANCE: >100MΩ  
(500VDC BETWEEN OPEN CONTACTS)
5. 耐电压 DIELECTRIC STRENGTH: >1500VAC 0.5mA 1 MINUTE
6. 按键颜色 ACTUATOR COLOR: 黑色 BLACK
7. 本体颜色 HOUSING COLOR: 黑色 BLACK
8. 所有部件均使用环保材料  
ALL MATERIALS USING MEET THE RoHS DIRECTIVE



PANEL CUTOUT DIMENSION



PANEL THICKNESS	X	Y
0.75~1.25mm	19.2 <sup>+0</sup> <sub>-0.1</sub> mm	12.9 <sup>+0.1</sup> <sub>-0</sub> mm
1.25~2.0mm	19.4 <sup>+0</sup> <sub>-0.1</sub> mm	12.9 <sup>+0.1</sup> <sub>-0</sub> mm
2.0~3.0mm	19.8 <sup>+0</sup> <sub>-0.1</sub> mm	12.9 <sup>+0.1</sup> <sub>-0</sub> mm



电话: 0769-82310511-867  
邮箱: hooya89@hooya.hk

NO	DESCRIPTION	NO	DESCRIPTION	DIMENSIONAL TOLERANCES		APPROVED	CHECKED	DESIGN	DRAWN	ALL SIZE ARE IN		DRAWING NO.	REV.	
				RANGE	TOLERANCE					MM	NO			
5	→	10	→	X	±0.30				LMC					
4	→	9	→	X.X	±0.20				2020.11.14					
3	→	8	→	X.XX	±0.10									
2	→	7	→	ANGLES	±1'									
1	→	6	→	LEGION ELECTRONIC & HARDWARE CO., LTD.										
										SS21-BBIWG-C		*****		A0