

4

3

2

1

THIS DRAWING IS UNPUBLISHED.

RELEASED FOR PUBLICATION

20

© COPYRIGHT 20 BY -

ALL RIGHTS RESERVED.

REVISIONS

P	LTR	DESCRIPTION	DATE	DWN	APVD
	A	INITIAL	28FEB2015	DW	CW
	A1	ECR-16-000601	14JAN2016	DW	CW
	A2	ECR-16-017508	10DEC2016	RL	CW
	B	ECR-21-122216	08DEC2021	WQR	CW

NOTES:

1. TECHNICAL CHARACTERISTICS:  
 FRAME MATERIAL: DIE CAST ZINC ALLOY  
 NUMBER OF MODULES: 2  
 SURFACE: ZINC PLATED  
 MATING CYCLES: 500 CYCLES

注释:

1. 技术参数:  
 框架材料: 锌合金  
 模块数量: 2  
 表面处理: 镀锌  
 插拔次数: 500次

4X M3 SCREW  
 RECOMMENDED TIGHTENING TORQUE 0.5Nm  
 4X M3 螺丝推荐锁紧力矩为0.5Nm

2X M4 SCREW, RECOMMENDED TIGHTENING TORQUE 1.2Nm  
 2X M4 螺丝, 推荐锁紧力矩为1.2Nm

T2070064001-000 SHOWN ABOVE WITHOUT MARK  
 T2070064001-000, 不带标记

PANEL CUT FOR FRAME USE WITHOUT HOODS/ HOUSINGS

T2070064001-000	H6BN-T2	H6BN MODULE FRAME H6BN模块框架
T2070064101-000	H6BN-T2-M	H6BN MALE MODULE FRAME H6BN模块公框架
T2070064201-000	H6BN-T2-F	H6BN FEMALE MODULE FRAME H6BN模块母框架
PART NUMBER 料号	PART DESCRIPTION 描述	

THIS DRAWING IS A CONTROLLED DOCUMENT.

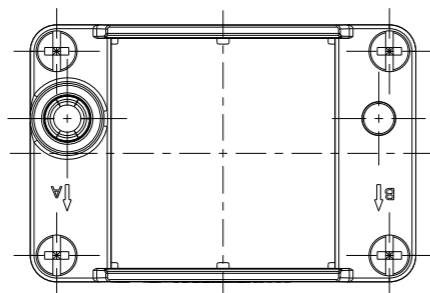
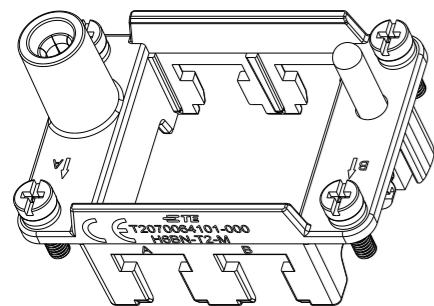
DIMENSIONS:	TOLERANCES UNLESS OTHERWISE SPECIFIED:
mm	
0 PLC	±-
1 PLC	±-
2 PLC	±-
3 PLC	±-
4 PLC	±-
ANGLES	±-
FINISH	
-	-
-	-

DWN	28FEB2015
DAVID WANG	
CHK	28FEB2015
CHRIS WANG	
APVD	28FEB2015
XIANG XU	
PRODUCT SPEC	108-137057
APPLICATION SPEC	114-137057
WEIGHT	-
Customer Drawing	

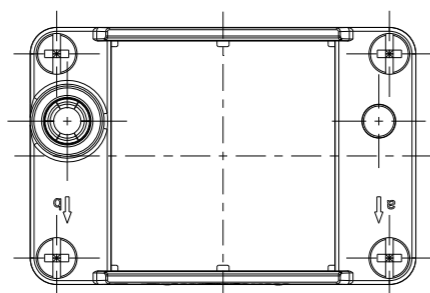
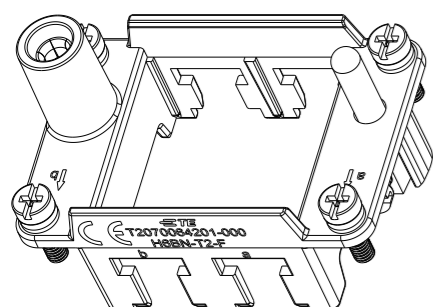
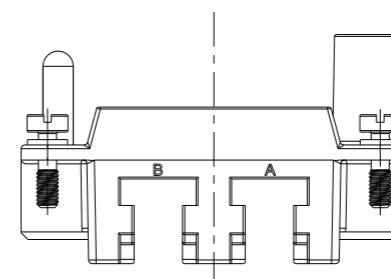
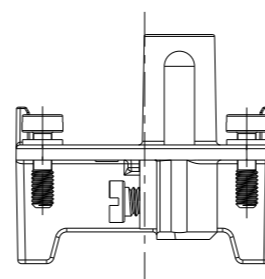
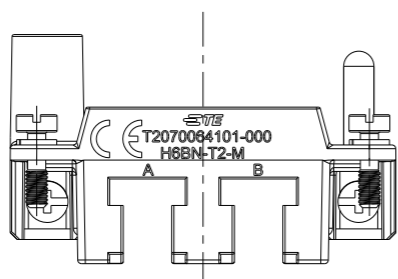
<b>STE</b> TE Connectivity	
NAME H6BN-T2	
SIZE	CAGE CODE
A3	00779
DRAWING NO T2070064001000	
RESTRICTED TO	-
SCALE	1:1
SHEET	1 OF 2
REV	B

1470-19 (3/13)

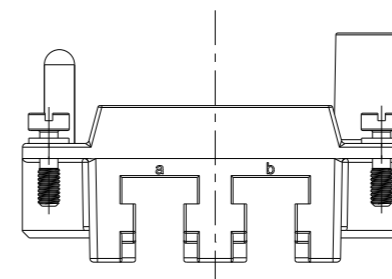
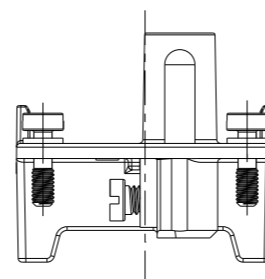
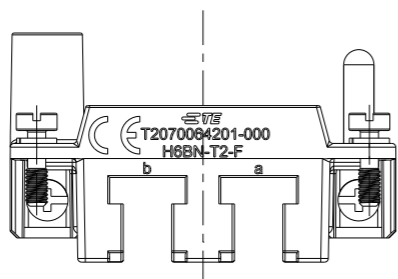
P	LTR	DESCRIPTION	DATE	DWN	APVD
-	-	SEE SHEET 1	-	-	-



T2070064101-000, H6BN-T2-M SHOWN  
 WITH MARK, ALL DIMENSIONS THE SAME TO T2070064001-000  
 T2070064101-000, H6BN-T2-M, 带标记, 所有尺寸同T2070064001-000一样



T2070064201-000, H6BN-T2-F SHOWN  
 WITH MARK, ALL DIMENSIONS THE SAME TO T2070064001-000  
 T2070064201-000, H6BN-T2-F, 带标记, 所有尺寸同T2070064001-000一样



THIS DRAWING IS A CONTROLLED DOCUMENT.

DIMENSIONS:	TOLERANCES UNLESS OTHERWISE SPECIFIED:
mm	0 PLC ±-
	1 PLC ±-
	2 PLC ±-
	3 PLC ±-
	4 PLC ±-
	ANGLES ±-
MATERIAL	FINISH
-	-
-	-

DWN	28FEB2015
DAVID WANG	
CHK	28FEB2015
CHRIS WANG	
APVD	28FEB2015
XIANG XU	
PRODUCT SPEC	108-137057
APPLICATION SPEC	114-137057
WEIGHT	-
CUSTOMER DRAWING	

TE Connectivity		NAME		RESTRICTED TO
		H6BN-T2		
SIZE	CAGE CODE	DRAWING NO	-	
A3	00779	©-T2070064001000	-	
SCALE		SHEET	OF	REV
1:1		2	2	B