

4

3

2

1

THIS DRAWING IS UNPUBLISHED.

RELEASED FOR PUBLICATION

20

REVISIONS

© COPYRIGHT 20 BY -

ALL RIGHTS RESERVED.

P	LTR	DESCRIPTION	DATE	DWN	APVD
	A1	ECR-16-000601	14JAN2016	DW	CW
	A2	ECR-16-017508	12DEC2016	RL	CW
	B	ECR-18-005861	03AUG2018	YC	CW
	C	ECR-21-122216	09DEC2021	WQR	CW

4X M3 SCREW
RECOMMENDED TIGHTENING
TORQUE 0.5Nm
4X M3 螺丝推荐锁紧力矩为0.5Nm

2X M4 SCREW, RECOMMENDED
TIGHTENING TORQUE 1.2Nm
2X M4 螺丝, 推荐锁紧力矩为1.2Nm

T2070164001-000 SHOWN ABOVE
WITHOUT MARK
T2070164001-000, 不带标记

PANEL CUT FOR FRAME USE
WITHOUT HOODS/ HOUSINGS

NOTES:

1. TECHNICAL CHARACTERISTICS:
FRAME MATERIAL: DIE CAST ZINC ALLOY
NUMBER OF MODULES: 4
SURFACE: ZINC PLATED
MATING CYCLES: 500 CYCLES

注释:

1. 技术参数:
框架材料: 锌合金
模块数量: 4
表面处理: 镀锌
插拔次数: 500次

T2070164001-000	H16BN-T4	H16BN MODULE FRAME H16BN模块框架
T2070164101-000	H16BN-T4-M	H16BN MALE MODULE FRAME H16BN模块公框架
T2070164201-000	H16BN-T4-F	H16BN FEMALE MODULE FRAME H16BN模块母框架

PART NUMBER 料号	PART DESCRIPTION 描述
-------------------	------------------------

THIS DRAWING IS A CONTROLLED DOCUMENT.

DWN 28FEB2015

DAVID WANG

CHK 28FEB2015

CHRIS WANG

APVD 28FEB2015

XIANG XU

PRODUCT SPEC

108-137057

APPLICATION SPEC

114-137057

WEIGHT

-

Customer Drawing

NAME

H16BN-T4

SIZE

A3

CAGE CODE

00779

DRAWING NO

-

RESTRICTED TO

-

SCALE

1:1

SHEET

1 OF 2

REV

C

DIMENSIONS:

mm

TOLERANCES UNLESS
OTHERWISE SPECIFIED:

0 PLC	±-
1 PLC	±-
2 PLC	±-
3 PLC	±-
4 PLC	±-
ANGLES	±-
FINISH	-

MATERIAL

-

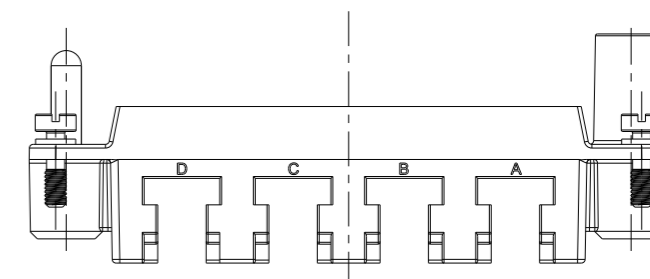
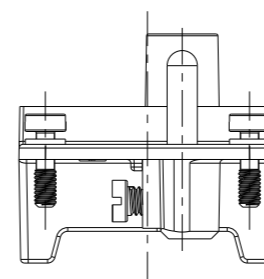
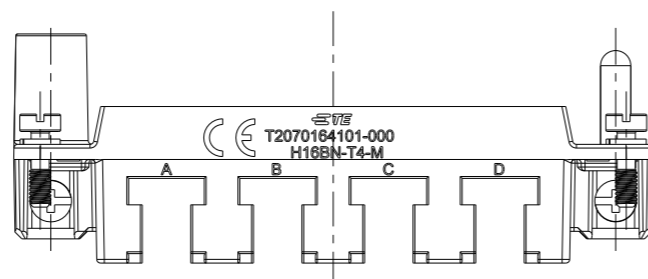
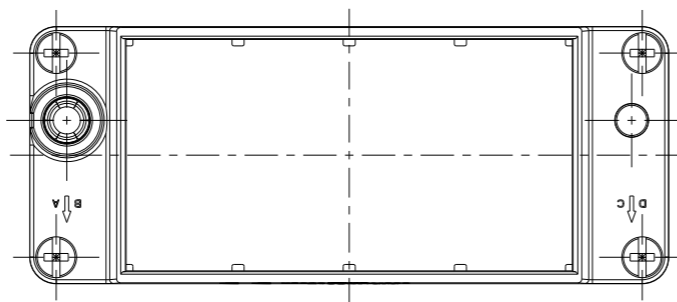
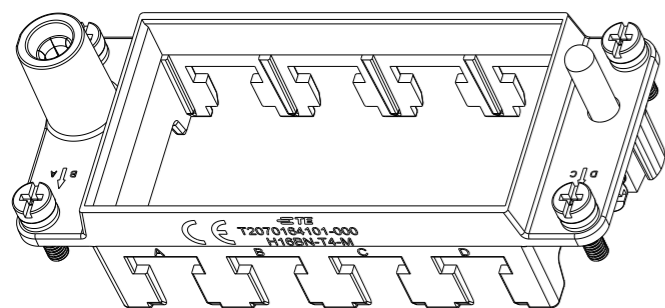
-

1470-19 (3/13)

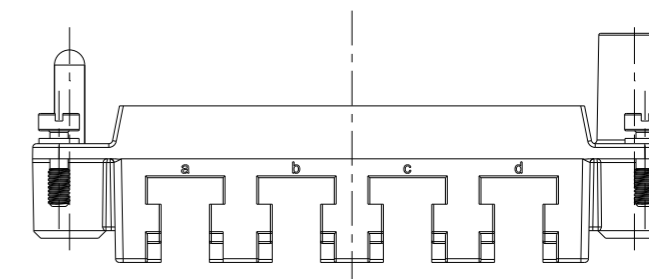
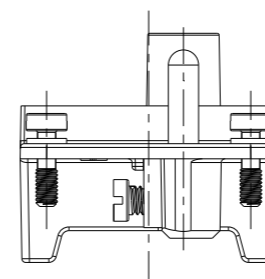
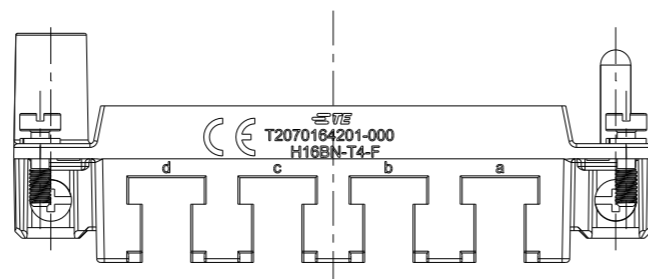
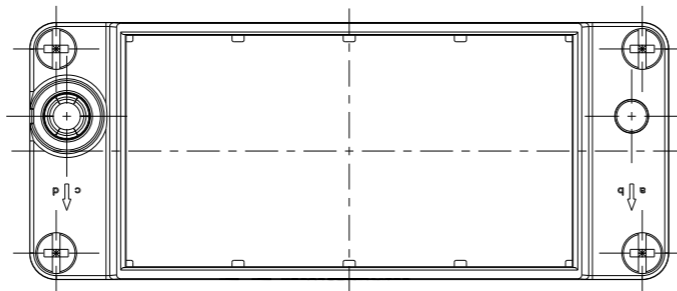
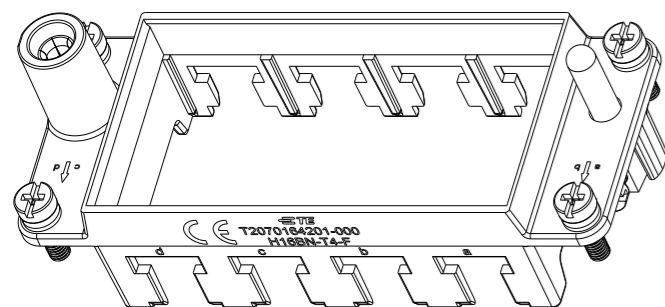
TE Connectivity

REVISIONS

P	LTR	DESCRIPTION	DATE	DWN	APVD
-	-	SEE SHEET 1	-	-	-



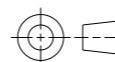
T2070164101-000, H16BN-T4-M SHOWN
 WITH MARK, ALL DIMENSIONS THE SAME TO T2070164001-000
 T2070164101-000, H16BN-T4-M, 带标记, 所有尺寸同T2070164001-000一样



T2070164201-000, H16BN-T4-F SHOWN
 WITH MARK, ALL DIMENSIONS THE SAME TO T2070164001-000
 T2070164201-000, H16BN-T4-F, 带标记, 所有尺寸同T2070164001-000一样

THIS DRAWING IS A CONTROLLED DOCUMENT.

DIMENSIONS:
mm



TOLERANCES UNLESS OTHERWISE SPECIFIED:

- 0 PLC ±-
- 1 PLC ±-
- 2 PLC ±-
- 3 PLC ±-
- 4 PLC ±-
- ANGLES ±-
- FINISH ±-

MATERIAL

-

DWN 28FEB2015

DAVID WANG

CHK 28FEB2015

CHRIS WANG

APVD 28FEB2015

XIANG XU

PRODUCT SPEC 108-137057

APPLICATION SPEC 114-137057

WEIGHT -

Customer Drawing

NAME

H16BN-T4

SIZE

A3

CAGE CODE 00779

DRAWING NO

T2070164001000

RESTRICTED TO

-

SCALE 1:1

SHEET 2 OF 2

REV C

