

承 认 书

SPECIFICATION FOR APPROVAL

客户 (CUSTOMER): _____

产品名称 (PRODUCT NAME): 电磁式蜂鸣器 (内含驱动线路)

型号 (TYPE): YS-MBZ9055DYB03

客户料号 (CUSTOMER NO): _____

日期 (DATE): 2019-07-20

客户确认: (签章)
日期:

东 莞 市 锋 鸣 电 子 有 限 公 司

电话: 0769-88036425

传真: 0769-85474556

制单: 李琳

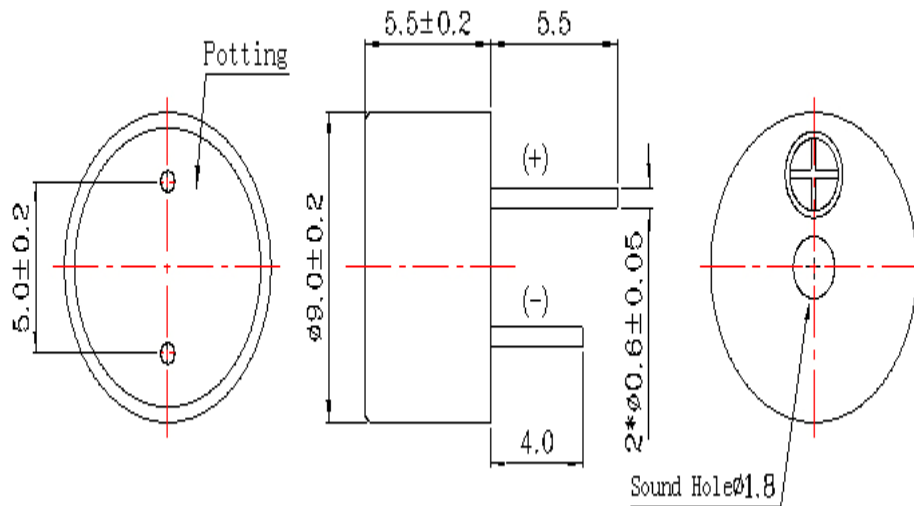
业务: 宋浩亮

工程: 黄鑫

FENGMING TECH OF DONGGUAN CO.,LTD

YS-MBZ9055DYB03

APPEARANCE DRAWING:



Tol:± 0.5 Unit:mm

SPECIFICATIONS:

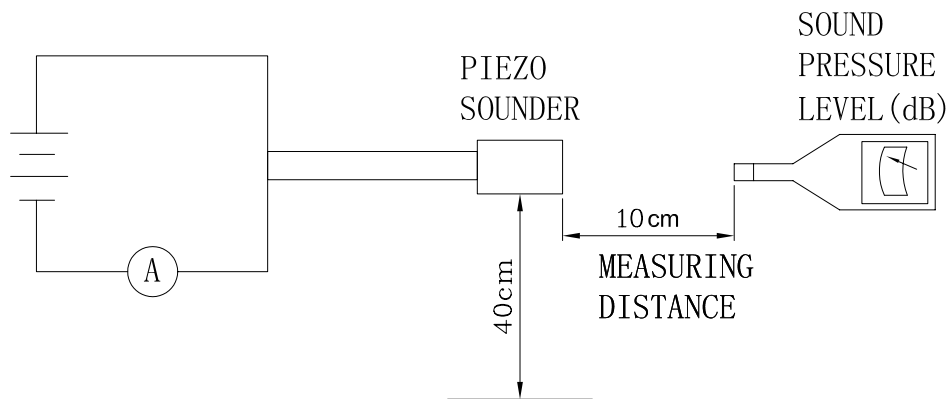
Model NO	YS-MBZ9055DYB03
Rated Voltage	3VDC
Operating Voltage	2.0~5.0VDC
Max.Rated Current	Max.30mA
sound Pressure level(dB/min)at10cm	Min 85dB
Resonant Frequency	2700 ± 300 Hz
Operating Temperature	$-20^{\circ}\text{C} \sim +70^{\circ}\text{C}$
Storage Temperature	$-30^{\circ}\text{C} \sim +80^{\circ}\text{C}$

备注: 建议波峰焊接温度 255 ± 5 度, 时间 3-5 秒。

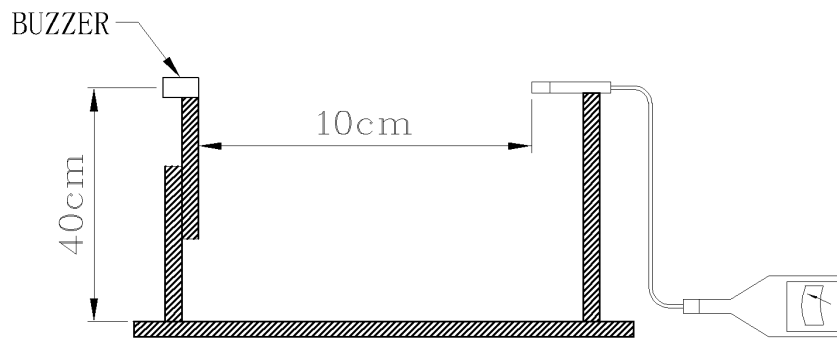
驱动线路电流要在 25MA 以上

Acoustic Characteristics:

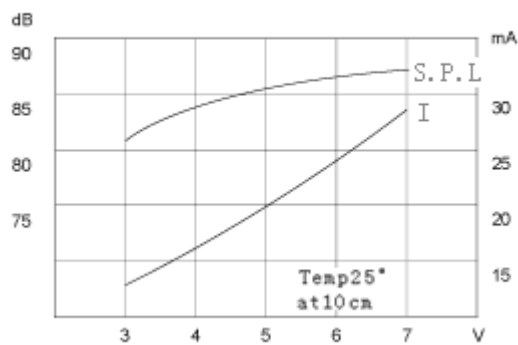
The oscillation frequency, current consumption and sound pressure are measured by the measuring instruments shown below



In the measuring test, buzzer is placed as follows:



Typical Frequency Response Curve



RELIABLY TEST:

NO.	ITEM	TESTING CONDITION	VARIANCE AFTER TEST
1	Humidity	$40 \pm 2^{\circ}\text{C}$, 93(+2/-3)%RH, 96HRS	All specifications must be satisfied after the test.
2	<i>High temp.</i>	$+80 \pm 2^{\circ}\text{C}$, 96HRS	
3	Low temp.	$-30 \pm 2^{\circ}\text{C}$, 96HRS	
4	Temperature cycling	$-30 \pm 2^{\circ}\text{C}$, 30minutes room temp. 15minutes $+80 \pm 2^{\circ}\text{C}$, 30minutes room temp. 15minutes 5 cycles	
5	Drop test	3 times from height of 70cm onto the surface of 10mm thick wooden board.	
6	Vibration test	Make the test for the directions of X Y and Z (total 0.5 hours). To-and-fro. sweep time (from 10 to 55 Hz and then 55 to 10) under single amplitude of 10mm is 3minute.	
7	Solder heat resistance	The part leads (pins) shall be immersed in molten solder maintained at $260 \pm 5^{\circ}\text{C}$ for a period of 30 seconds.	After the test part shall meet specifications without any degradation in appearance and performance.