

# 承 认 书

SPECIFICATION FOR APPROVAL

客户 (CUSTOMER): \_\_\_\_\_

产品名称 (PRODUCT NAME): 贴片式蜂鸣器 (外部驱动)

型号 (TYPE): YS-SBZ5025C03R12

客户料号 (CUSTOMER NO) \_\_\_\_\_

日期 (DATE): 2019-07-20

客户确认: (签章)
日期:

## 东 莞 市 锋 鸣 电 子 有 限 公 司

电话: 0769-88036425

传真: 0769-85474556

制单: 李琳

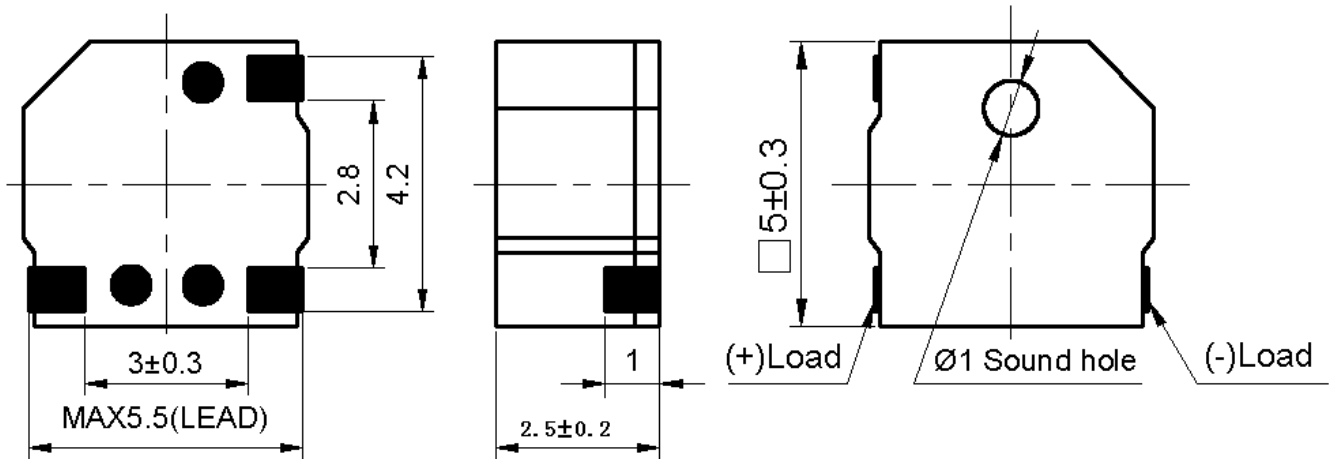
业务: 宋浩亮

工程: 黄鑫

# FENGMING TECH OF DONGGUAN CO.,LTD

YS-SBZ5025C03R12

## APPEARANCE DRAWING

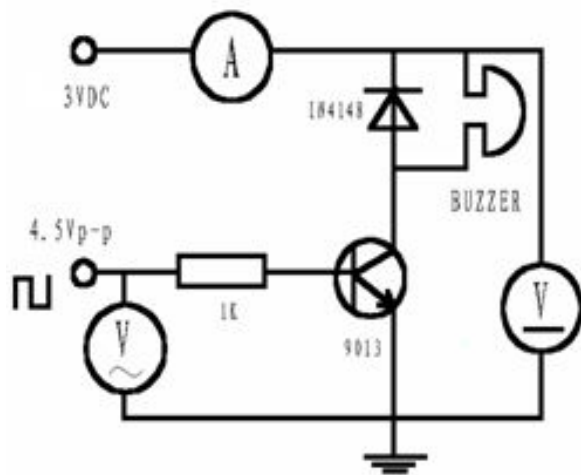


Tol:± 0.5 Unit:mm

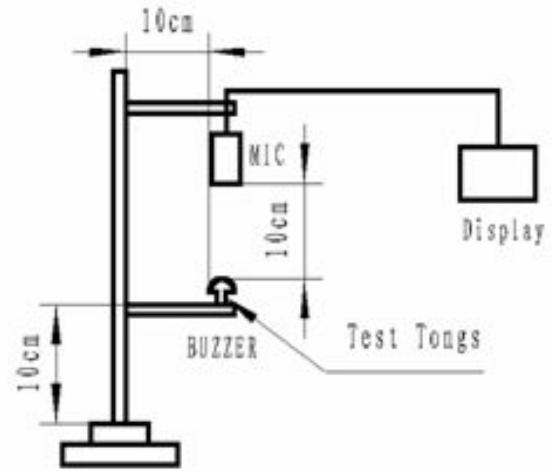
## SPECIFICATION:

Model NO	YS-SBZ5025C03R12
Rated Voltage	3V
Operating Voltage	2.0~5.0V
Rated Current	Max. 100mA
Coil Resistance	12 ± 2 Ω
sound Pressure level(dB/4000Hz/at 10cm)	Min.75dB
Resonant Frequency	4000Hz
Operating Temperature	-20 °C~+70 °C
Storage Temperature	-30 °C~+80 °C

## TEST METHOD:

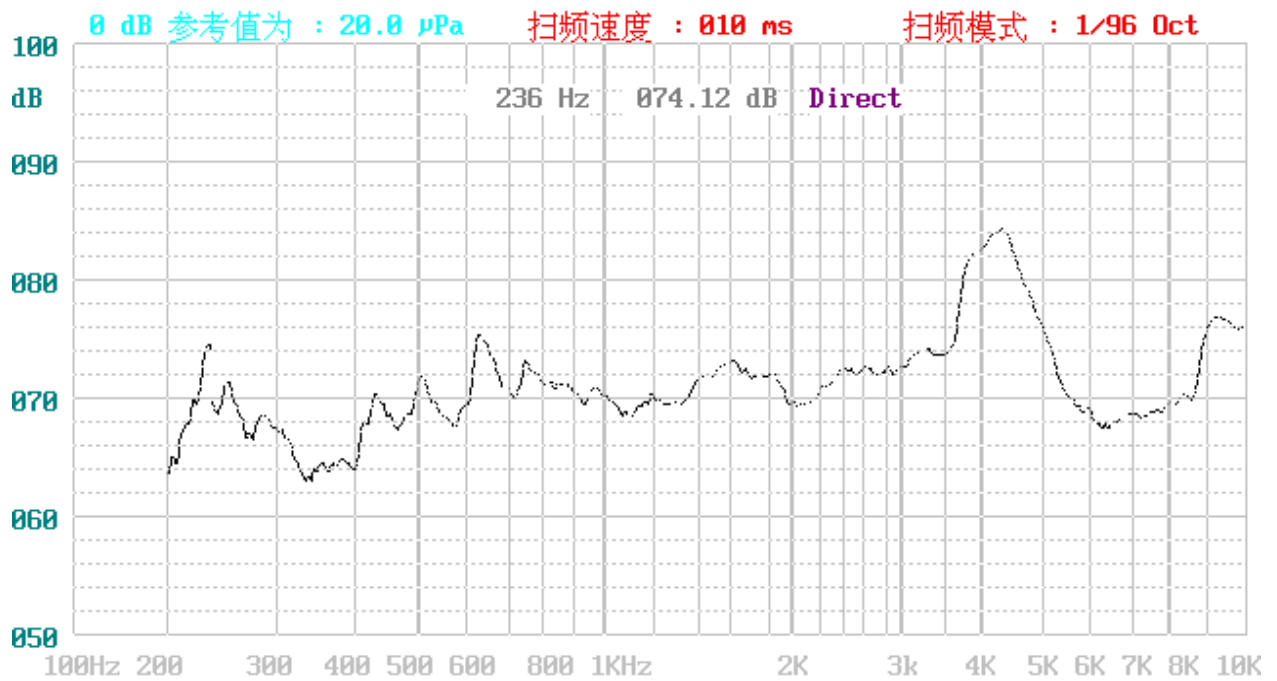


Test Circuit

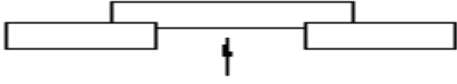


Test Equipms

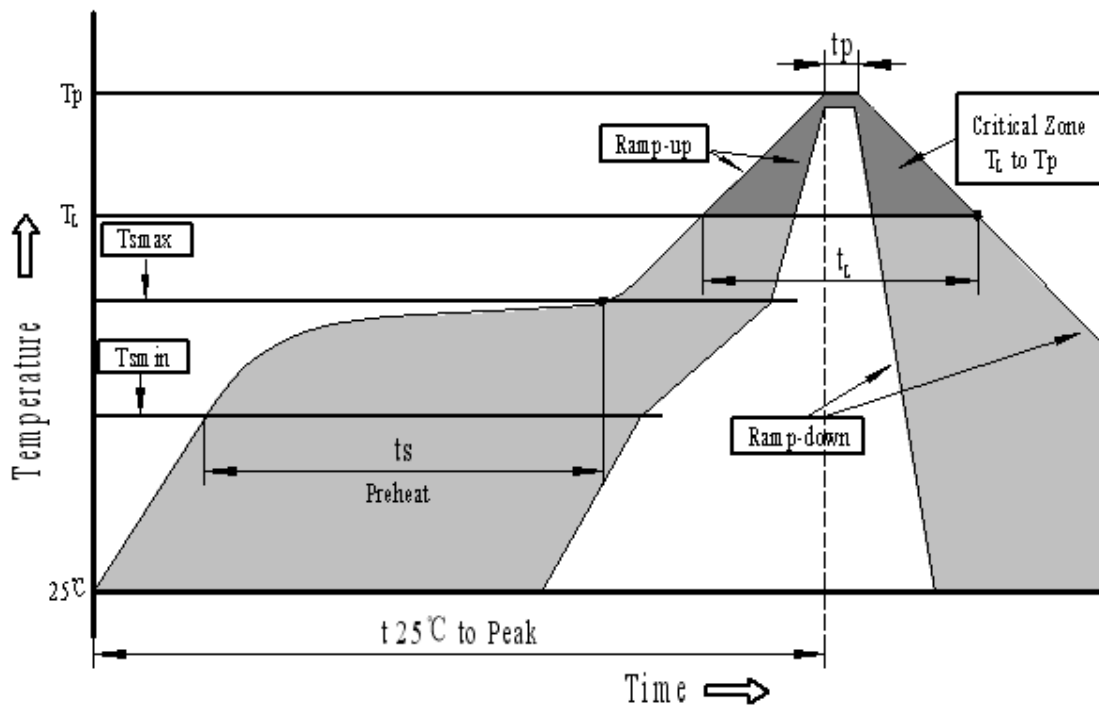
## FREQUENCY RESPONSE:



**RELIABLY TEST:**

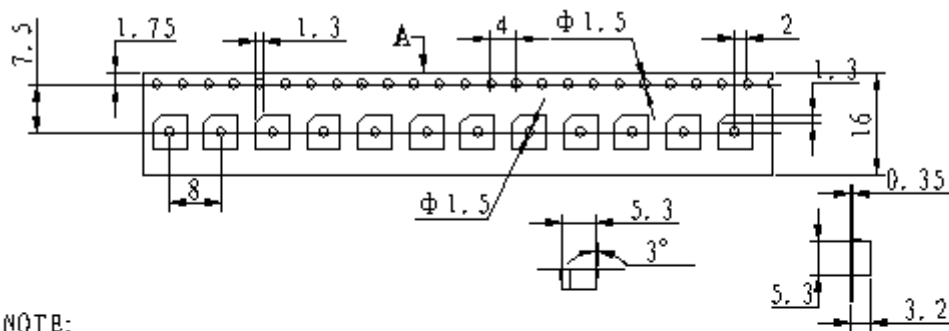
NO.	ITEM	TESTING CONDITION	VARIANCE AFTER TEST
1	<i>High temp. storage life</i>	The part shall be capable of withstanding a storage temperature is +120°C for 120 hours	<p><i>After the test the part shall meet specifications without any degradation in appearance and performance except SPL shall be initial value ± 10dB or more.</i></p>
2	<i>Low temp. storage life</i>	The part shall be capable of withstanding a storage temperature is -40°C for 120 hours	
3	Temp. Cycle	Total 5 cycles, 1 cycle consisting of -40±2°C, 30 minutes 20±5°C 15 minutes 120±2°C, 30 minutes 20±5°C 15 minutes	
4	Humidity Test	40±2°C, 90~95% RH, 120 hours	
5	Vibration Test	The part shall be subjected to a vibration cycle is 10Hz in a period of 1 minute. Total peak amplitude shall be .52mm(9.3g).  The vibration test shall consist of 2 hours per plane in each three mutually perpendicular planes for a total time of 6 hours.	
6	Shock	Sounder shall be measured after being applied shock (980m/s <sup>2</sup> ) for each three mutually perpendicular directions to each of 3 times by half sine wave.	
7	Drop Test	Dropped naturally from 700mm height onto the surface of 10mm thick wooden board. 2 directions-upper and side of the part are to be applied.	
8	Lead pull	The part shall be pushed with a force of 9.8N for 10±1 seconds behind the part.  	After the test part shall meet specifications without any degradation in appearance and performance.
9	Recommended temp. Profile for Reflow Oven	Shown in Fig.1	
<p><b>Warranty:</b>For a period of one year from date of manufacture under normal operations.</p>			

## Recommended Temp. Profile for Reflow Oven (Fig.1)



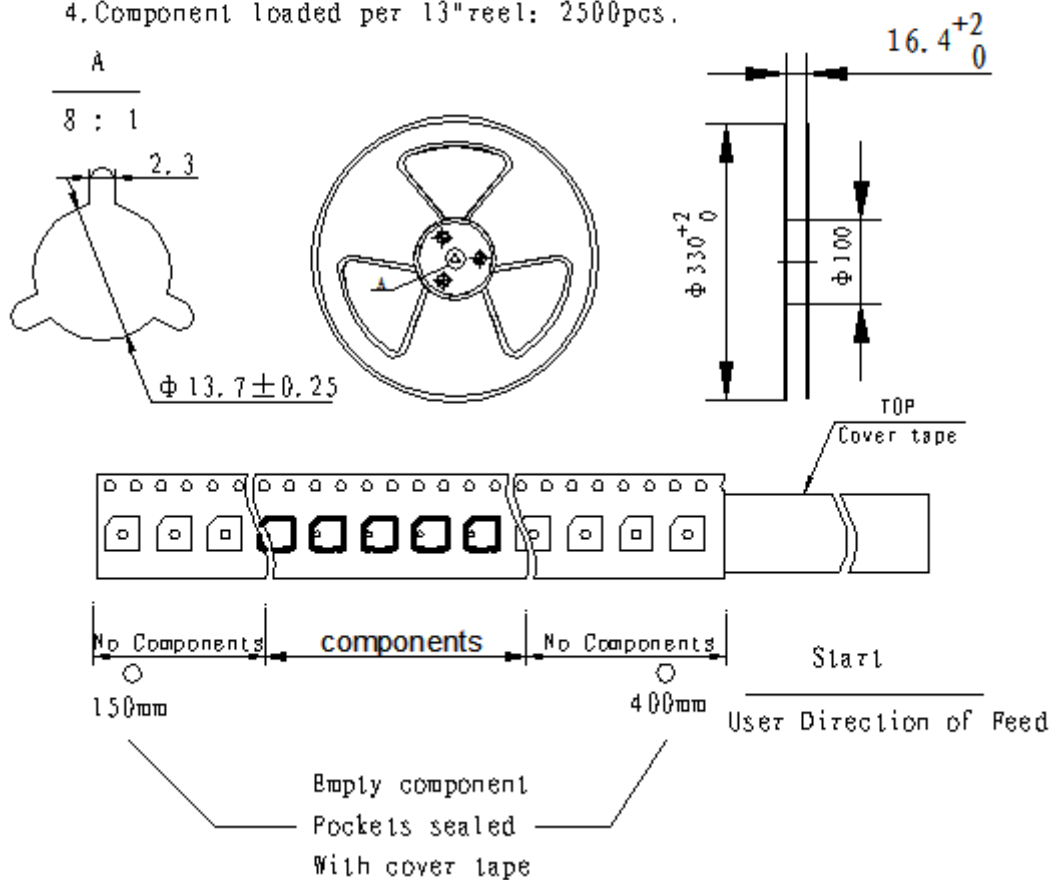
Profile Feature	Pb-Free Assembly
Average ramp-up rate( $T_L$ to $T_p$ )	3°C/second max.
Preheat	
-Temperature Min.( $T_{smin}$ )	150°C
-Temperature Min.( $T_{smax}$ )	200°C
-Temperature Min.( $t_s$ )	60~180 seconds
$T_{smax}$ to $T_L$	
-Ramp-up Rate	3°C/second max.
Time maintained above:	
- Temperature( $T_L$ )	217°C
-Time( $T_L$ )	60~150 seconds
Peak temperature( $T_p$ )	250°C+0/-5°C
Time within 5°C of actual Peak temperature ( $t_p$ )	6 seconds max.
Ramp-down Rate	6°C/second max.
Time 25°C to Peak Temperature	8 minutes max.

# PACKING:

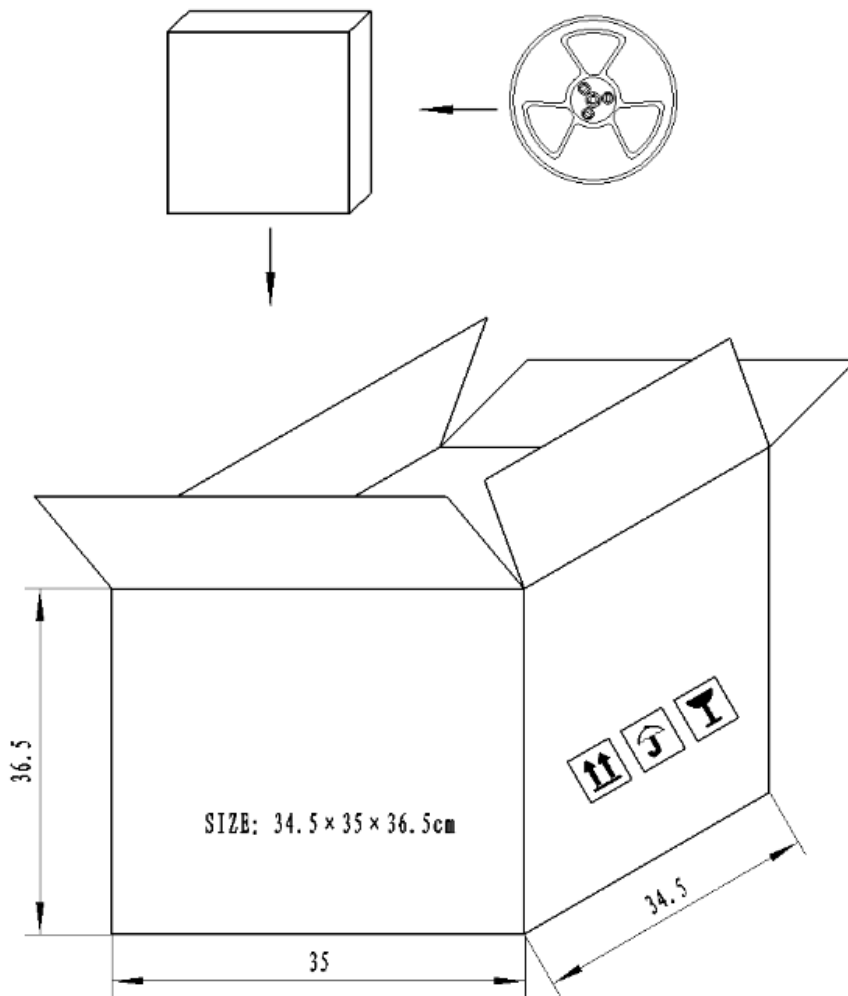


**NOTE:**

1. 10 sprocket hole pitch cumulative tolerance  $\pm 0.20\text{mm}$ .
2. All dimensions meet BIA-481-D requirements.
3. Thickness:  $0.35 \pm 0.05\text{mm}$ .
4. Component loaded per 13" reel: 2500 pcs.



## PACKING:



## NOTES:

- 1.2500 PCS per box
2. 10 boxes / carton 25000 PCS
3. 4 boxes / carton 10000 PCS