



# specification

## SHEET FOR APPROVAL

Part Name: electro-piezo buzzer

Type: YX-YD4216

Customer Name: \_\_\_\_\_

Number of the Edition: \_\_\_\_\_



	Approved by	Checked by	Issued by
Signature			
Date			

**Yue Xin Electronics Co., Ltd.**

Add: People Industrial Park Chen Bao Town Xinghua City Jiangsu province

China Tel: +86 0523 83722059 Fax: +86 0523 83722259

Web: [www.xhyxdz.cn](http://www.xhyxdz.cn)



# piezoelectric buzzer

## YX-YD4216

### Electrical Characteristics

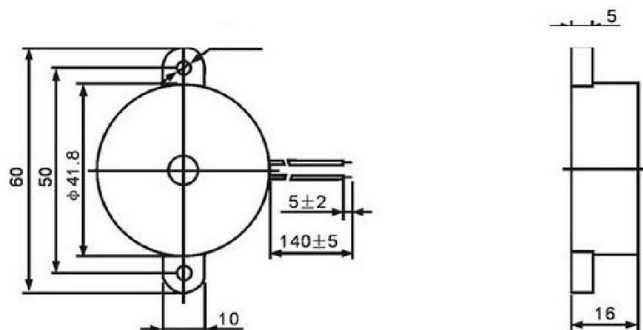


Type	Unit	YXYD4216
Rated Voltage	V	12
Operating Voltage	V	3-24
Rated Current ( MAX)	mA	12
Current Consumption	mA	≤25
Min Sound Output at 30cm	dB	≥95
Resonant Frequency	Hz	3000±300
Operating Temperature	°C	-20~ +60
Storage Temperature	°C	-30~ +70
Housing Material		ABS
Weight	g	8

continuous sound/ intermittent sound.

### Appearance Drawing

(UNT : mm) Tolerance : ±0.5mm Except Specified



### Yue Xin Electronics Co., Ltd.

Add: People Industrial Park Chen Bao Town Xinghua City Jiangsu province China

Tel: +86 0523 83722059 Fax: +86 0523 83722259

Web: [www.xhyxdz.com](http://www.xhyxdz.com)

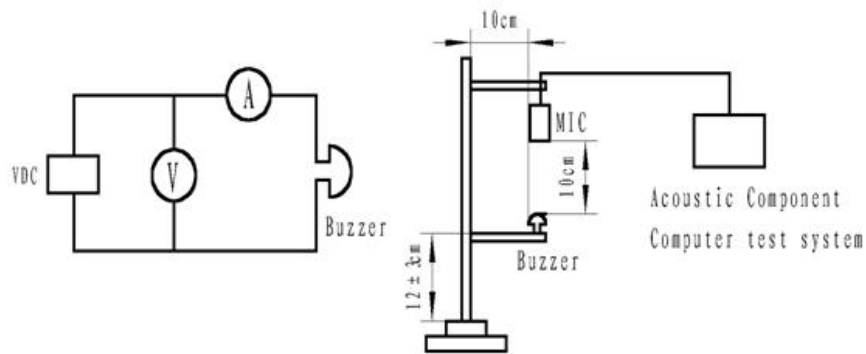


# piezoelectric buzzer

## YX-YD4216

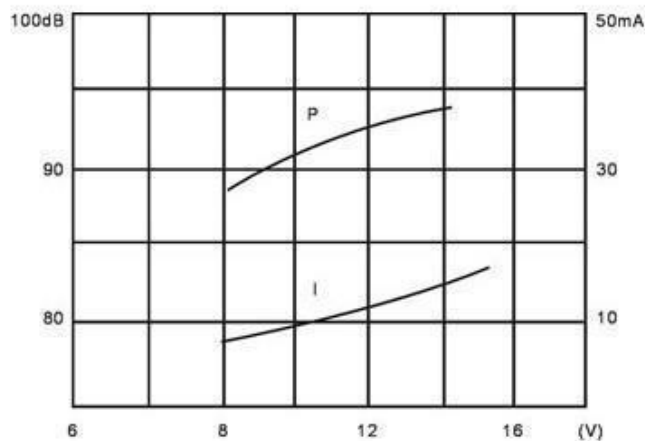


Testing Method:



Frequency Response:

### FREQUENCY RESPONSE



**Yue Xin Electronics Co., Ltd.**

Add: People Industrial Park Chen Bao Town Xinghua City Jiangsu province  
China Tel: +86 0523 83722059 Fax: +86 0523 83722259  
Web: [www.xhyxdz.com](http://www.xhyxdz.com)