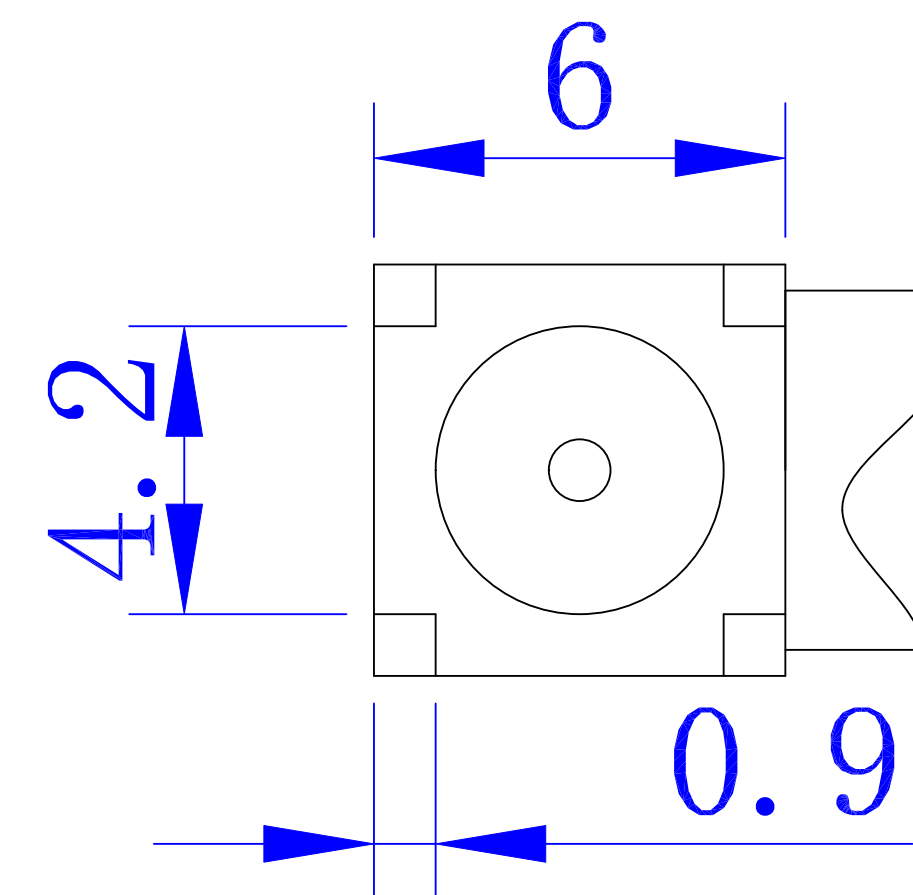
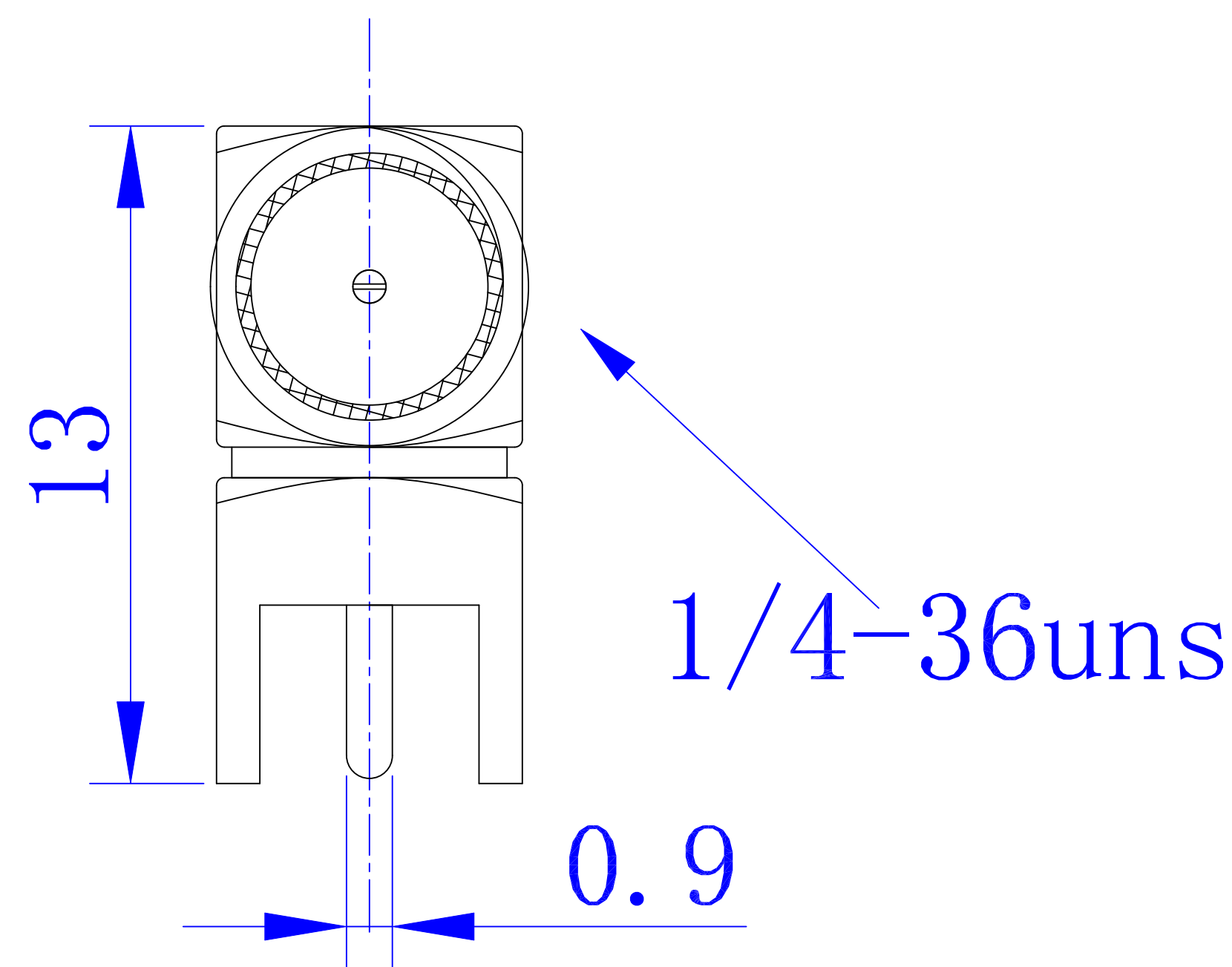
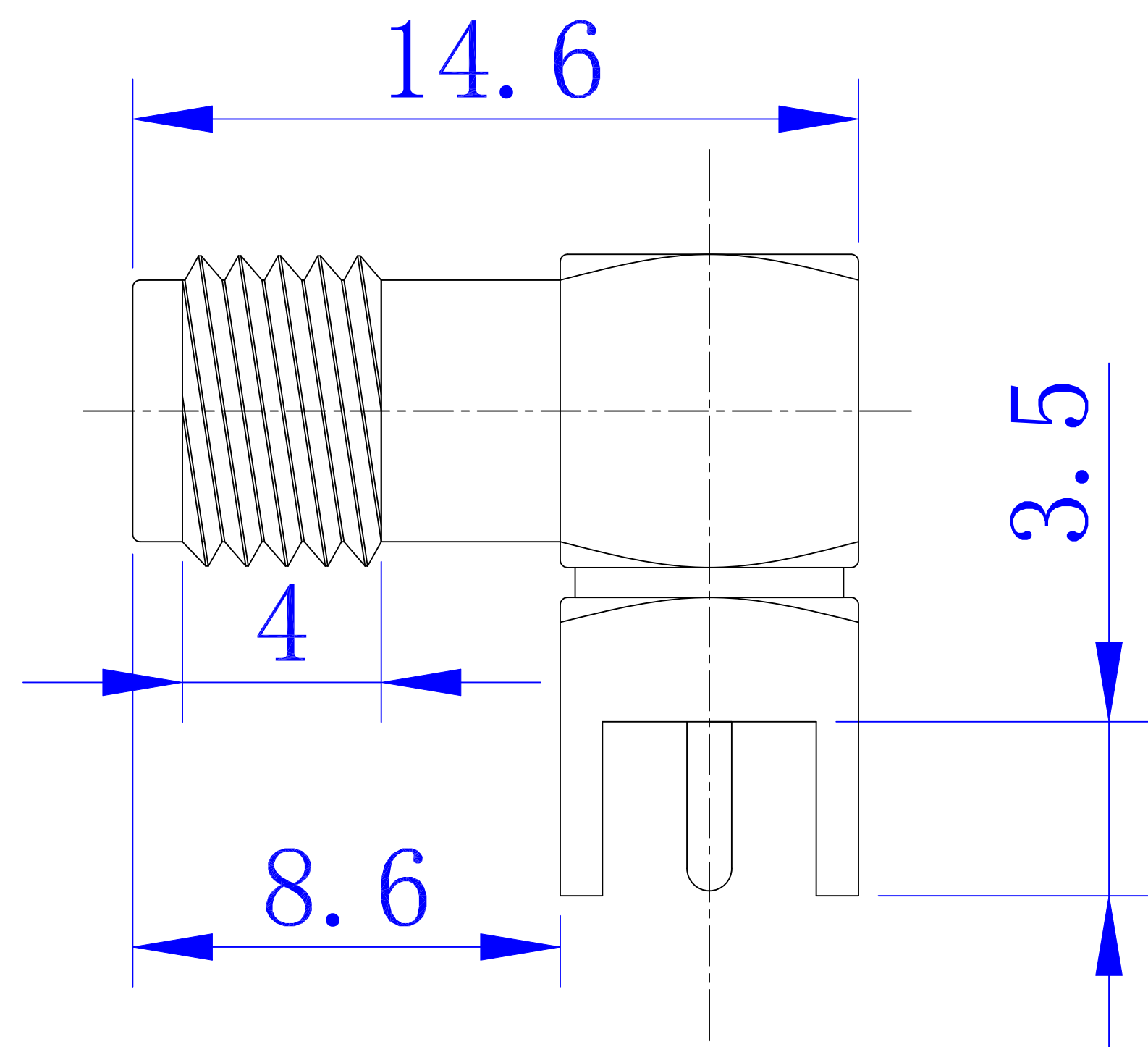


D:21-10-15



技术特性

温度范围: Temp. range $-65\sim+165^{\circ}\text{C}$ (PE Cable $-40\sim+85^{\circ}\text{C}$)
 振动: Vibration MIL-STD-202, Method 213
 特性阻抗: Impedance 50Ω
 频率范围: Frequency Range DC~0-6GHz
 工作电压: Working Voltage 335V max (有效值)
 耐压: Withstand Voltage 1000V rms (海平面最小值)
 接触电阻: Contact resistance
 内导体之间: Center Contact $\leq 3\text{ m}\Omega$
 外导体之间: Outer Contact $\leq 2\text{ m}\Omega$
 绝缘电阻: Insulation resistance $\geq 5000\text{ M}\Omega$
 插入损耗: Insertion loss $\leq 0.15\text{ dB}/6\text{GHz}$

产品包装方式:

- 1, PE袋套装 每包100PCS
- 2, 外箱封装 每箱2K-5K 按照实际需求来定

GENERAL TOLERANCE (UNLESS SPECIFIED)	DWN		
	CHK		
$\leq 10 \pm 0.1$ $<10^{\sim} \leq 20 \pm 0.2$ $<20^{\sim} \leq 50 \pm 0.5$ Angle $\pm 3^{\circ}$	APVD	TITLE 连接器	
 THIRD ANGLE	UNIT MM	REV A	PART NO SMA-KWE 外螺纹内孔
	SIZE A4	SHEET 1 OF 1	DRAWING NO STA-10203