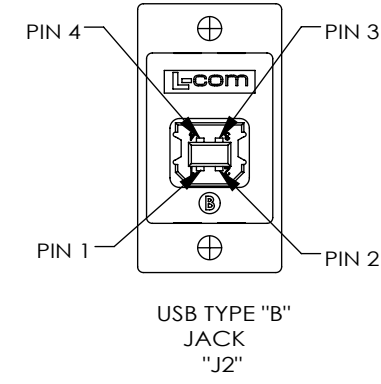
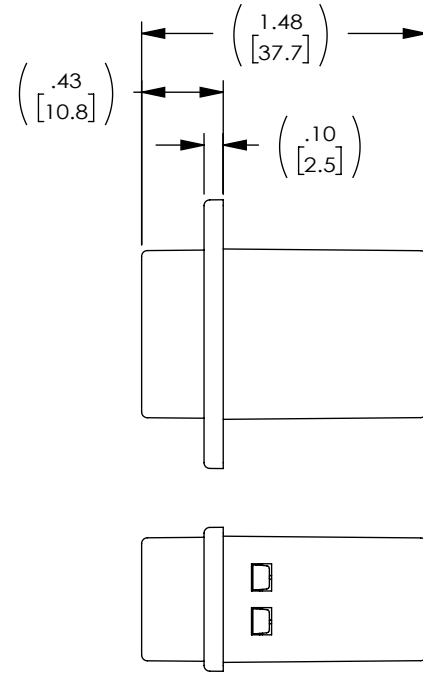
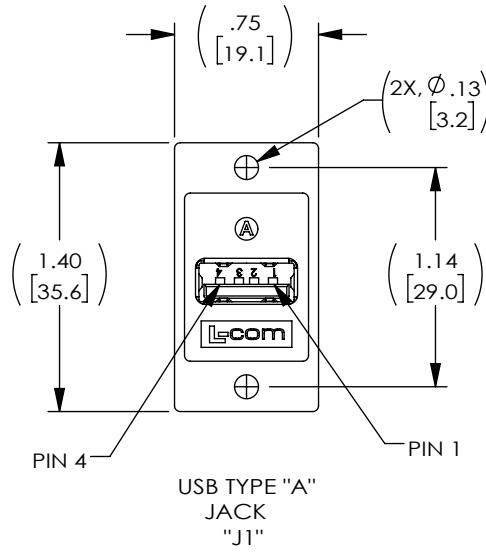
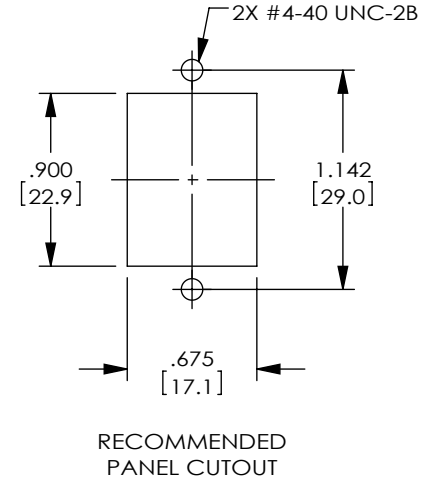
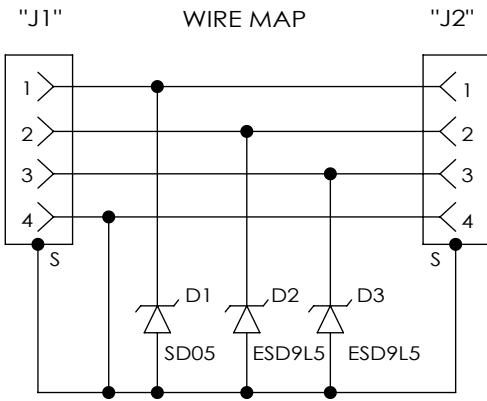


THE INFORMATION CONTAINED IN THIS DRAWING IS THE SOLE PROPERTY OF L-COM, INC. ANY REPRODUCTION IN PART OR WHOLE WITHOUT THE WRITTEN PERMISSION OF L-COM, INC. IS PROHIBITED.

REVISIONS			
REV	DESCRIPTION	DATE	APPROVED
A	CN RELEASE	02/26/2010	D.GRIFFIN
B	ECN 7180: REVISED MODEL TO SNAP VERSION, UPDATED ROHS, FORMAT	11/27/2013	D.FRISIELLO
C	ECN 11790: CORRECT OPERATING TEMPERATURE TO -10 TO +70°C	04/13/2022	D.REBECK



USB TYPE "B" JACK "J2"



RECOMMENDED PANEL CUTOUT

- NOTES:**
- MATERIAL:**
 COUPLER HOUSING: ABS, UL94V-0.
 CONNECTOR INSULATORS: WHITE PBT WITH GLASS FIBER.
 PCB: EPOXY GLASS FP-4, 94V-0 FLAMMABILITY RATING.
- FINISH:**
 COUPLER HOUSING: CHROME.
 CONNECTOR CONTACTS: GOLD, 30μ INCHES.
 CONNECTOR SHELLS: NICKEL.
- ELECTRICAL:**
 DATA LINE CLAMPING VOLTAGE: 5.4V.
 POWER LINE CLAMPING VOLTAGE: 6.5V.
- ENVIRONMENTAL:**
 OPERATING TEMPERATURE: -10°C TO +70°C.
- MISCELLANEOUS:**
 COUPLER SHALL BE TESTED FOR CONTINUITY.
 COUPLER SHALL BE INDIVIDUALLY PACKAGED IN ACCORDANCE WITH L-COM PACKAGING SPEC PS-0031.

UNLESS OTHERWISE SPECIFIED, DIMENSIONS ARE IN INCHES [mm] OVERALL CABLE LENGTH TOLERANCE: ≤12 [305] = +1 [25] / -0 >12 [305] ≤60 [1524] = +2 [51] / -0 >60 [1524] ≤120 [3048] = +4 [102] / -0 >120 [3048] ≤300 [7620] = +6 [152] / -0 >300 [7620] = +5% / -0 ALL OTHER DIMENSIONAL TOLERANCES: .X = ± .2 [5] FRACTIONS ± 1/32 .XX = ± .02 [.5] ANGLES ± 1° .XXX = ± .005 [.13]	APPROVALS	DATE	50 High Street, West Mill, North Andover, MA 01845 USA. Phone: 1.800.341.5266 1.978.682.6936
	DRAWN BY D. CASTRO	07/24/2009	
	CHECKED BY D. PARHAM	07/24/2009	
	APPROVED BY S. SMITH	07/24/2009	
THIRD-ANGLE PROJECTION	CONFIGURATION DETAILS OF UNDIMENSIONED FEATURES MAY VARY COLOR VARIATIONS MAY OCCUR		CATEGORY LIGHTNING PROTECTORS
	SIZE A	CAGE CODE 43321	DWG. NO. AL-ECF504-AB
SCALE: NONE		CAD FILE: AL-ECF504-AB.SLDDRW	REV. C