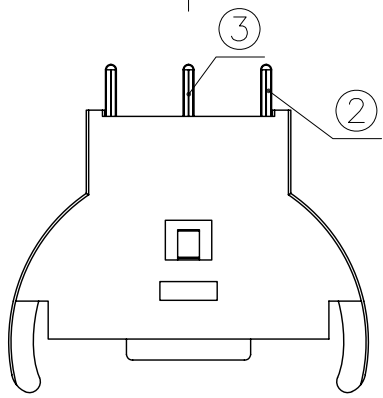
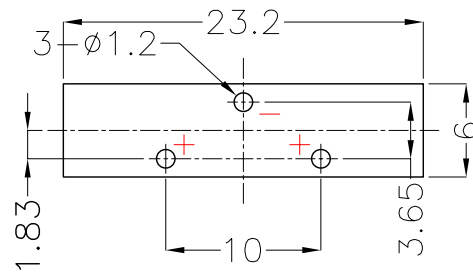
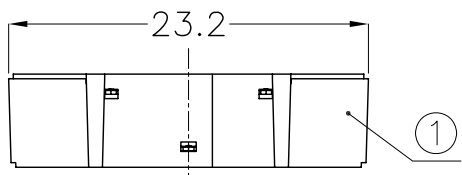
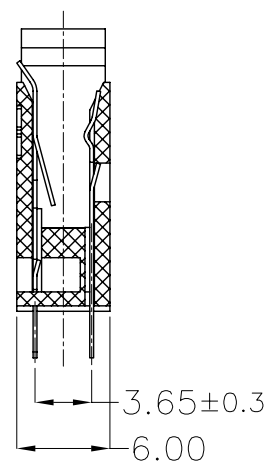
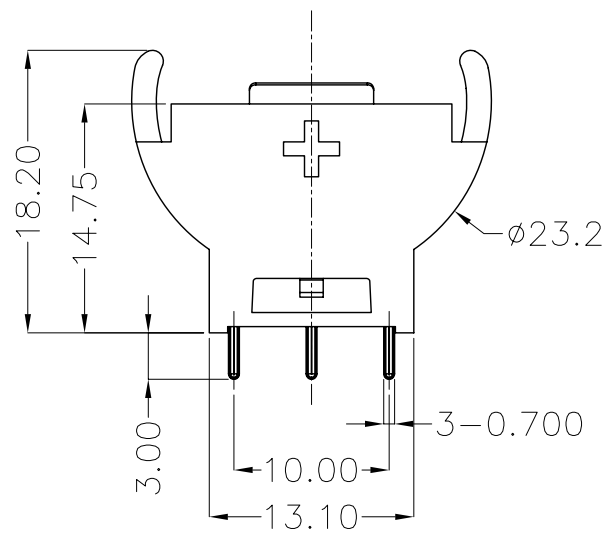




REV.	ECN NO.	REVISED	DATE

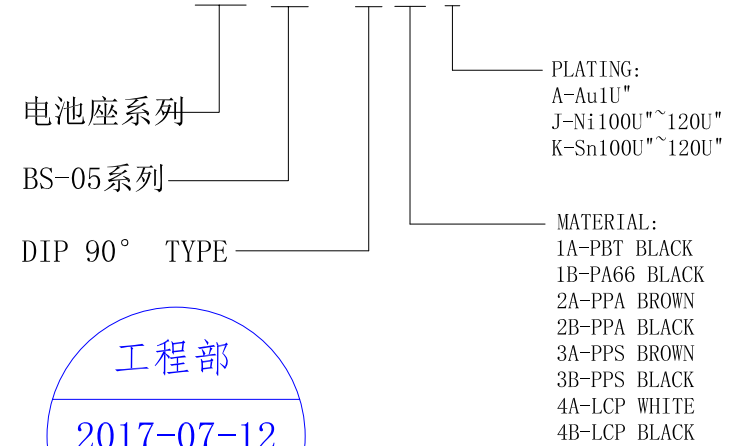


NOTE:

- 1.MATERIAL:
a.HOUSING:PA66
b.CONTACT:BRASS
(SURFACE PLATING: Ni 100u"-120u")
SEE ORDERING INFORMATION
- 2.ELECTRIC:
a.CONTACT RESISTANCE: 30 MILLIOHMS MAX
b.INSULATION RESISTANCE: 1000 MEGA OHMS MIN
c.DIELECTNIC VOLTAGE: 500V AC ONE SEC LEVEL
d.OPERATING TEMPERATURE: -25°C~ +85°C

ORDERING INFORMATION

BS-05-A***001



工程部
2017-07-12
ZW DANG

NO.	PART NAME	Q'TY	MATERIAL	PLATING & COLOR
3	TERMINAL(-)	1	BRASS, T=0.25mm	Ni Plating
2	TERMINAL(+)	1	BRASS, T=0.25mm	Ni Plating
1	HOUSING	1	PA66	BLACK

UNLESS OTHERWISE SPECIFIED TOLERANCES		MYOUNG 美阳 www.meiyangdz.com	
DECIMALS: X :±0.30 X.X :±0.25 X.XX :±0.20 X.XXX :±0.10	ANGLES: X :±1° X.X :±0.5°	DSND YangFeng	DATE 2017-07-12
WEIGHT: 1.64g		CHKD ZhouRuicia	DATE 2017-07-12
SHEET 1 OF 1		APVD XueShun Yong	DATE 2017-07-12
UNIT: mm	REV.: A/0	SCALE: 2:1	VIEW:
OBJECT: MY	TITLE: BS-2032-5 NI DIP		PART NO.: BS-05-A1BJ001
DRAW NO.:MY-CP-0023			