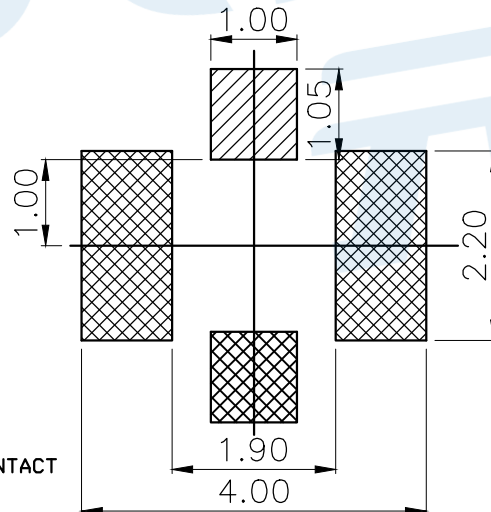
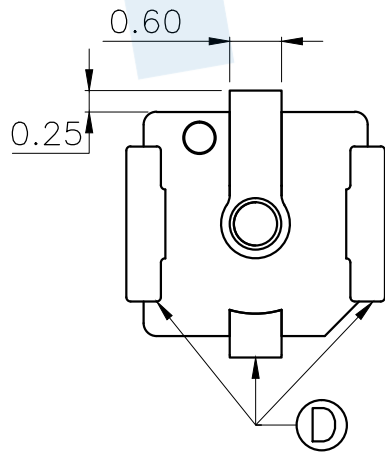
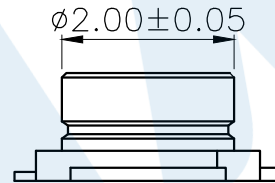
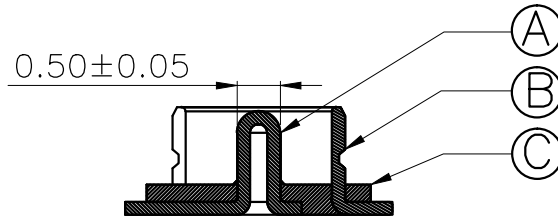
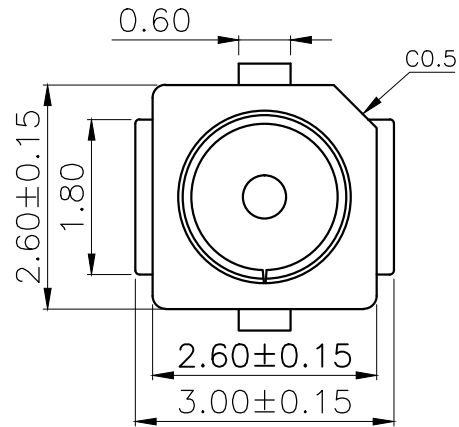


RoHS



CONTACT  
GROUND CONTACT

PCB Layout(Pattern side)

NOTES :

- 1.0. RATING :
  - 1.1. VOITAGE :60 VAC (R.M.S.)
  - 1.2. NOMINAL CHARACTERISTIC IMPEDANCE: 50 Ohm
  - 1.3. APPLICABLE FREQUENCY: DC ~ 6GHz
  - 1.4. VSWR: 1.3 MAX. (DC~3GHz), 1.5 MAX. (3~6GHz)
  - 1.5. TEMPERATURE : -40°C TO +85°C
  - 1.6. APPLIED TO IR SOLDERING PROCESS

Ⓓ	Ground contact		3	Phosphor Bronze	Au plating
Ⓒ	Base		1	LCP	White
Ⓑ	Housing contact		1	Phosphor Bronze	Au plating
Ⓐ	Contact		1	Phosphor Bronze	Au plating
NO.	Name	Number	Qty	Materil	Remarks

**YUANDI**® Yuandi Electronics Co, Ltd

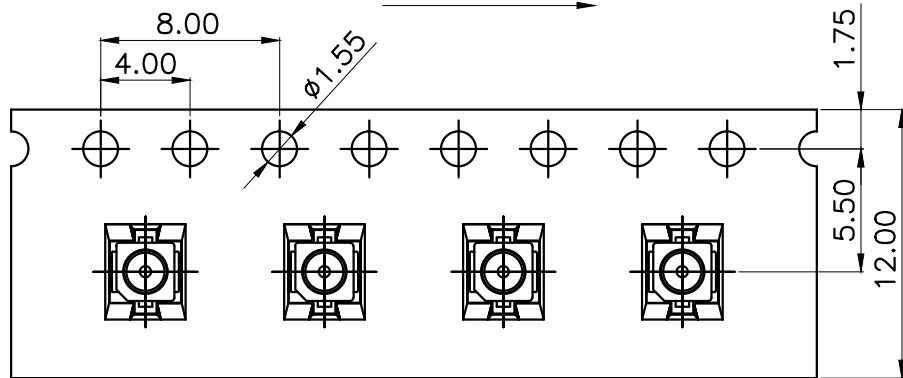
design	date	name	ANTENNA BASE
Review	date	model	RF-002
Approved	date		

Drawing number: Proportion 1:1 unit mm gage number A4

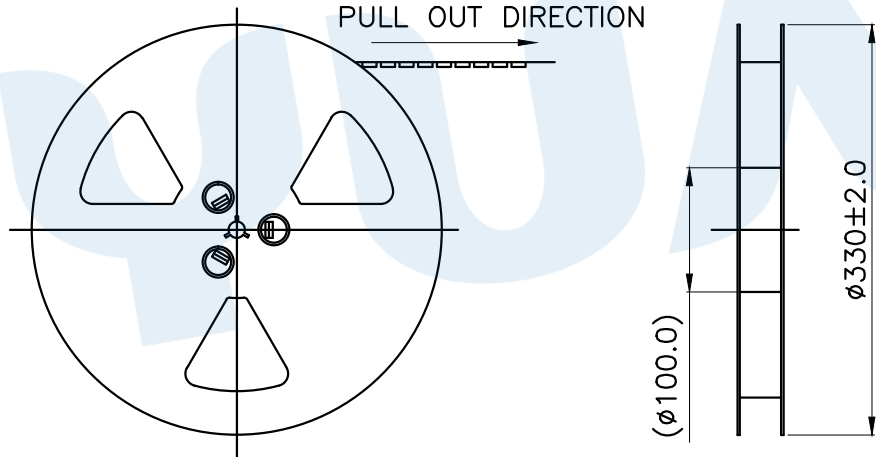
modify Review Approved Tolerance not specified

RoHS

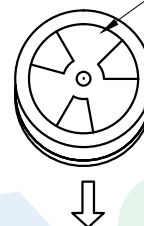
PULL OUT DIRECTION



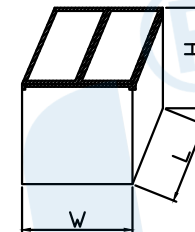
PULL OUT DIRECTION



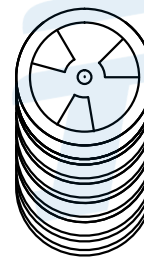
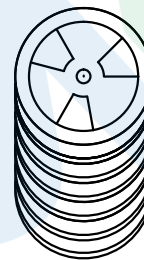
△ ID LABEL



5,000PCS/REEL



10REELS/CARTON

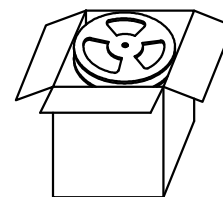
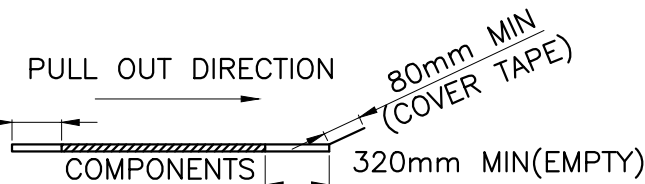


NOTES:

1. MATERIAL :
  - 1.1 EMBOSSED CARRIER: PET
  - 1.2 COVER TAPE: PET
  - 1.3 SHIPPING CARTON: CORRUGATED FIBER
2. DIMENSION :
  - 2.1 REEL: W=12.5
  - 2.2 SHIPPING CARTON: L\*, W\*, H\*
3. QUANTITY :
  - 3.1 PRIMARY PACKING: 5,000PCS/REEL
  - 3.2 SECONDARY PACKING: 10REELS/CARTON(50,000PCS)

320mm MIN (EMPTY)

PULL OUT DIRECTION



YUANDI® Yuandi Electronics Co, Ltd

design	date	name	ANTENNA BASE
Review	date	model	RF-002
Approved	date		

Drawing number:	Proportion	1:1	unit	mm	gape number	A4
-----------------	------------	-----	------	----	-------------	----

modify Review Approved Tolerance not specified

angle ±2' 10~30 ±0.30 5~10 ±0.20 ~ 5 ±0.10