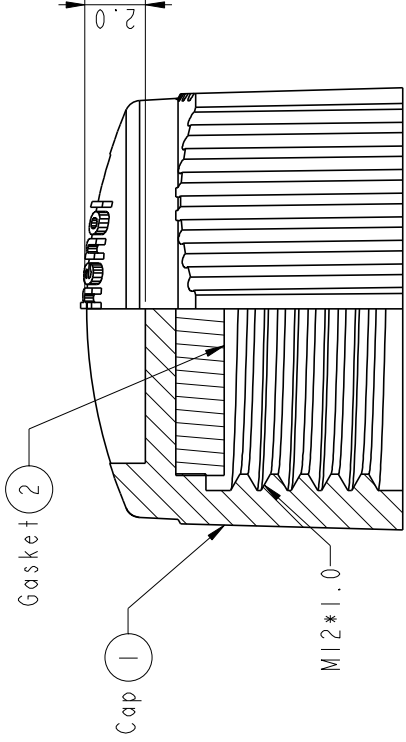
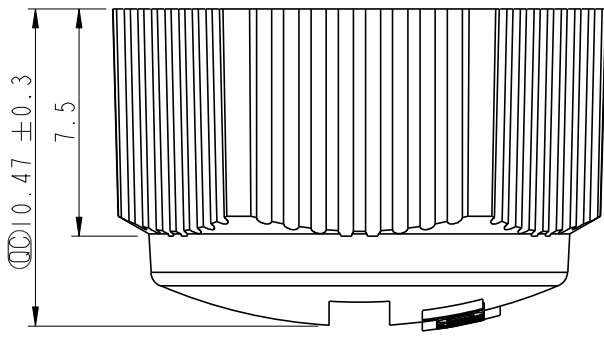
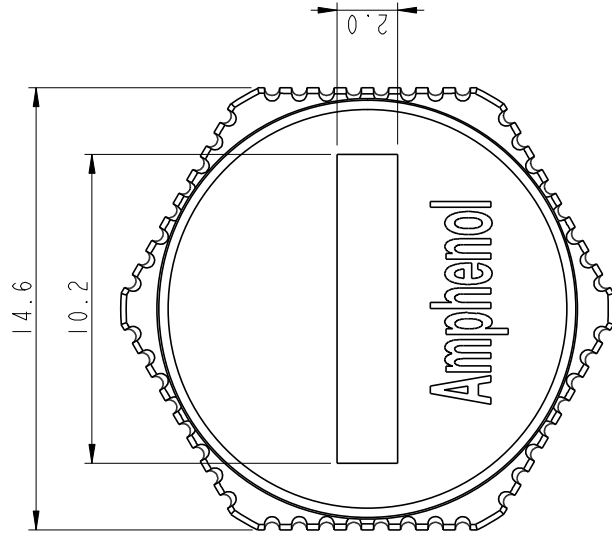
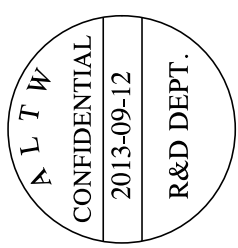


	REV.	ECN NO.	DATE	SIGN	DESCRIPTION				
	A	Initial Release	2013/09/12	Vicky	Old Item No. CAP-WBDMMSAI				



Note:
 * (Ø) Important Dimension.
 * Waterproof Rate: IP67
 * Cap: PC+ABS, Black
 * Gasket: EPDM, Black

UNIT: mm		TOLERANCE X ±0.25 .XX ±0.1 .XXX ±0.05		ANGLES		TITLE Waterproof Cap M12*1.0P For Male Conn Screw Type		Amphenol LTW 安費諾亮泰企業股份有限公司	
SCALE	4:1	SHEET	A4	SHEET	1	OF	1	ITEM NO	CAP-WBDMMSAI
REV.	A	MC-REV.	A.1	(QC): Inspection item				DRWN BY	Vicky
								CHECKED BY	Sam
								APPROVED BY	Rita
								DATE	2013-09-12
								DATE	2013-09-12
								DATE	2013-09-12