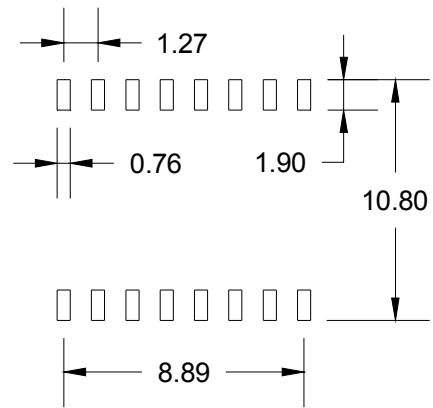
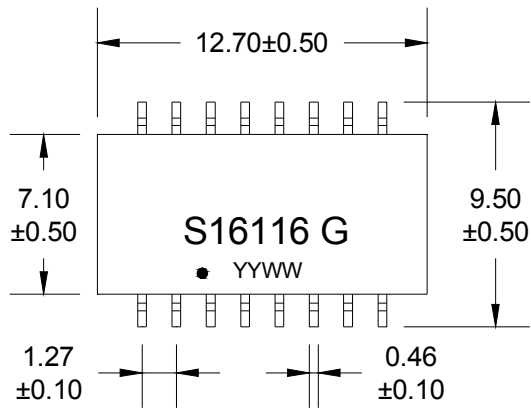


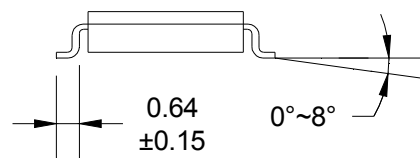
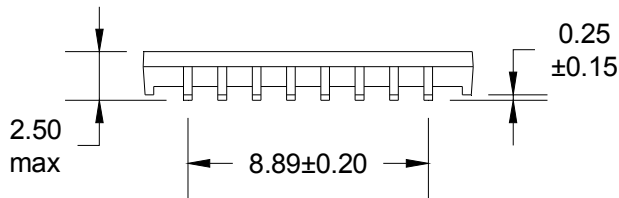


1x10/100Base SMD Transformer module

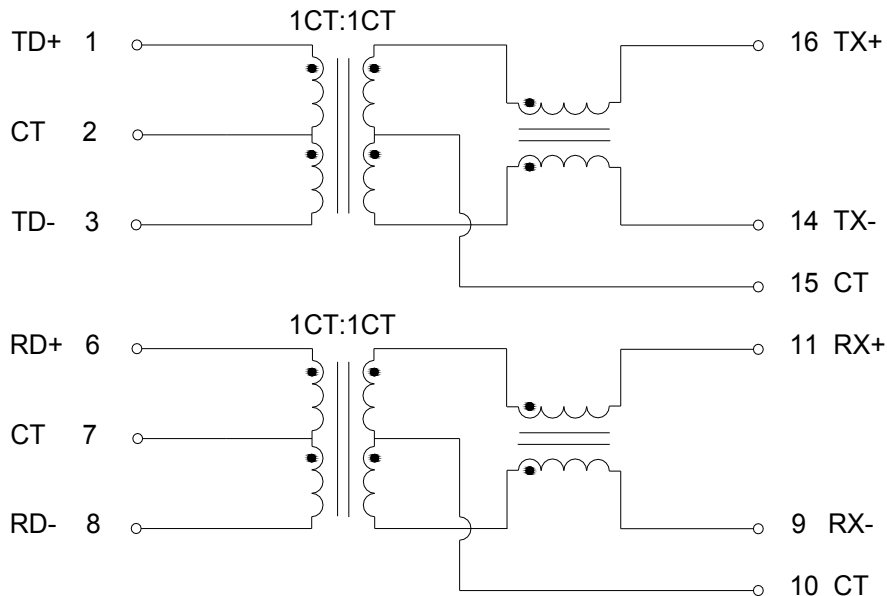
A. MECHANICAL(unit:mm)



Suggested PAD Layout



B. SCHEMATICS



| DESCRIPTION | JWD P/N | SPEC NO. | REV: R0 |
|----------------|----------|----------|-----------|
| 10/100 BASE-TX | S16116 G | | PAGE: 1/3 |



1x10/100Base SMD Transformer module

C. ELECTRICAL SPECIFICATIONS @25°C

1. OCL: 350 uH Min @ 100 KHz, 0.1V
2. Leakage Inductance: 0.5uH Max @ 100KHz, 0.1V
3. DCR: 1400mΩ Max
4. Turns Ratio: 1CT:1CT±5%
5. Insertion Loss: -1.1 dB Max @ 1-100 MHz
6. Return Loss: -18 dB Min @ 1-30 MHz
 - 14.4 dB Min @ 40 MHz
 - 13.1 dB Min @ 50 MHz
 - 12 dB Min @ 60-80 MHz
7. Cross Talk: -30 dB Min @ 1-100 MHz
8. Common Mode Rejection: -30 dB Min @ 1-100 MHz
9. Isolation Hipot: 1500VAC 1mA 60S
10. Operating temperature 0°C to +70°C
11. Storage temperature -20°C to +125°C

| DESCRIPTION | P/N | SPEC NO. | REV: R0 |
|----------------|----------|----------|-----------|
| 10/100 BASE-TX | S16116 G | | PAGE: 2/3 |