



## Jiangsu Weida Semiconductor Co., Ltd.

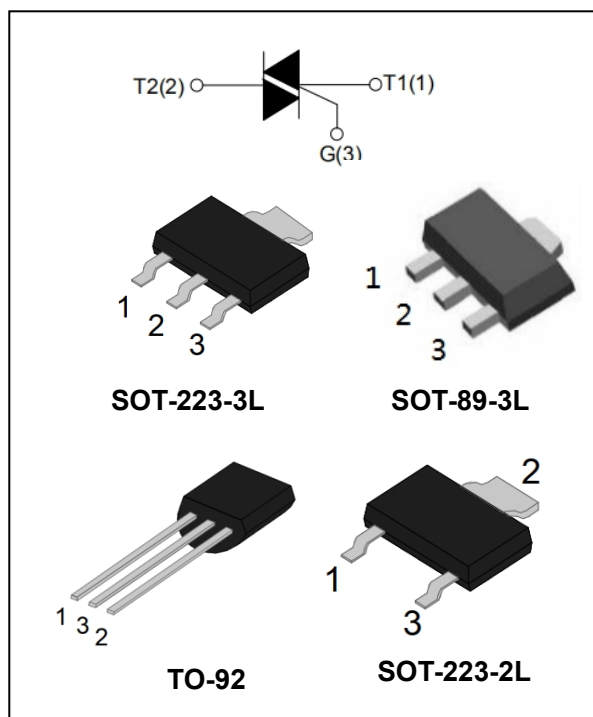
### BT131 Series 1A Triacs

#### DESCRIPTION:

With low holding and latching current, BT131 Series triacs are especially recommended for use on middle and small resistance type power load.

#### MAIN FEATURES:

symbol	value	unit
$I_{T(RMS)}$	1	A
$V_{DRM}/V_{RRM}$	600/800	V
$V_{TM}$	$\leq 1.5$	V



#### ABSOLUTE MAXIMUM RATINGS:

Parameter		Symbol	Value	Unit
Storage junction temperature range		$T_{stg}$	-40~150	$^{\circ}C$
Operating junction temperature range		$T_j$	-40~125	$^{\circ}C$
Repetitive peak off-state voltage ( $T_j=25^{\circ}C$ )		$V_{DRM}$	600/800	V
Repetitive peak reverse voltage ( $T_j=25^{\circ}C$ )		$V_{RRM}$	600/800	V
RMS on-state current		$I_{T(RMS)}$	1	A
Non repetitive surge peak on-state current (full cycle, F=50Hz)		$I_{TSM}$	16	A
$I^2t$ value for fusing ( $t_p=10ms$ )		$I^2t$	1.28	$A^2s$
Critical rate of rise of on-state current ( $I_G=2 \times I_{GT}$ )	di/dt	I - II - III	50	A/ $\mu s$
		IV	10	
Peak gate current		$I_{GM}$	2	A
Average gate power dissipation		$P_{G(AV)}$	0.5	W
Peak gate power		$P_{GM}$	5	W



**BT131 Series 1A Triacs**

**ELECTRICAL CHARACTERISTICS** ( $T_j=25^{\circ}\text{C}$  unless otherwise specified)

Parameter	Test Condition	Quadrant	Value		Unit	
			T	D		
$I_{GT}$	$V_D=12\text{V}, R_L=33\Omega$	I - II - III	3	5	mA	
		IV	5	10		
$V_{GT}$		I - II - III - IV	1.3		V	
$V_{GD}$	$V_D=V_{DRM}$	I - II - III - IV	0.2		V	
$I_H$	$I_T=100\text{mA}$		MAX	5	7	mA
$I_L$	$I_G=1.2I_{GT}$	I - III - IV	MAX	5	5	mA
		II		10	20	
dV/dt	$V_D=0.66 \times V_{DRM}$ $T_j=125^{\circ}\text{C}$ Gate open		MIN	20	50	V/ $\mu\text{s}$

**STATIC CHARACTERISTICS**

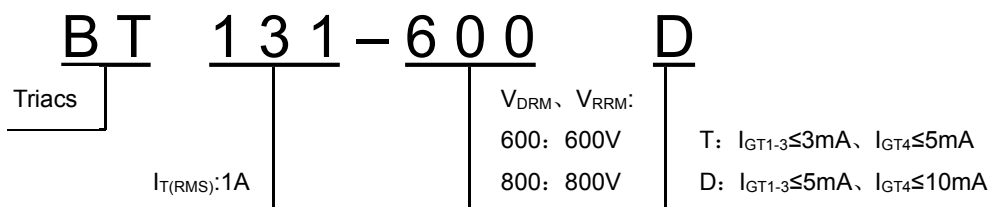
Symbol	Test Condition			Value	Unit
$V_{TM}$	$I_{TM}=1.4\text{A}$ $t_p=380\mu\text{s}$	$T_j=25^{\circ}\text{C}$	MAX	1.5	V
$I_{DRM}$ $I_{RRM}$	$V_{DRM}=V_{RRM}$	$T_j=25^{\circ}\text{C}$	MAX	5	$\mu\text{A}$
		$T_j=125^{\circ}\text{C}$		0.5	mA

**THERMAL RESISTANCES**

Symbol	Test Condition		Value	Unit
$R_{th(j-c)}$	junction to case(AC)	TO-92	60	$^{\circ}\text{C}/\text{W}$
		SOT-89/SOT-223 SOT-223-2L	31	$^{\circ}\text{C}/\text{W}$



**ORDERING INFORMATION**



**Cycle Code**

W D X Y

WD:WeiDa

X: year

ID	A	B	C	D	E	F	G	...
year	2018	2019	2020	2021	2022	2023	2024	...

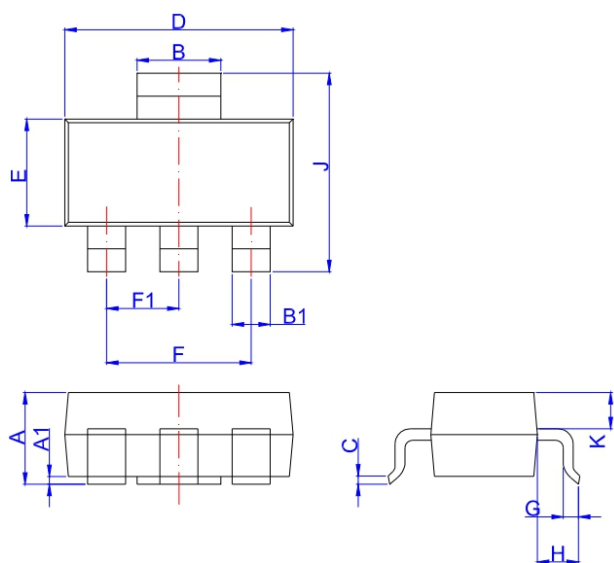
Y: Code

code	week	code	week	code	week	code	week
A	1	N	14	a	27	n	40
B	2	O	15	b	28	o	41
C	3	P	16	c	29	p	42
D	4	Q	17	d	30	q	43
E	5	R	18	e	31	r	44
F	6	S	19	f	32	s	45
G	7	T	20	g	33	t	46
H	8	U	21	h	34	u	47
I	9	V	22	i	35	v	48
J	10	W	23	j	36	w	49
K	11	X	24	k	37	x	50
L	12	Y	25	l	38	y	51
M	13	Z	26	m	39	z	52、53



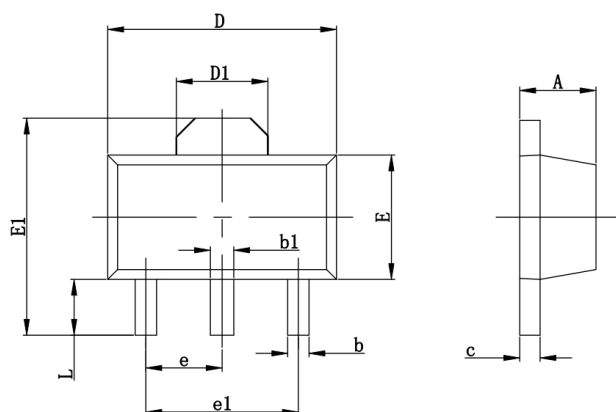
**BT131 Series 1A Triacs**

**PACKAGE MECHANICAL DATA**



**SOT-223**

Ref.	Dimensions					
	Millimeters			Inches		
	Min.	Typ.	Max.	Min.	Typ.	Max.
A	1.5	1.6	1.8	0.059	0.063	0.071
A1	0.01	0.06	0.10	0.001	0.002	0.004
B	2.9	3.0	3.1	0.114	0.118	0.122
B1	0.6	0.7	0.8	0.024	0.028	0.031
C	0.22	0.25	0.32	0.009	0.010	0.013
D	6.3	6.5	6.7	0.248	0.256	0.264
E	3.3	3.5	3.7	0.130	0.138	0.146
F		4.6	6.8	0.252	0.181	
F1		2.3			0.091	
G	0.7	0.9	1.1	0.028	0.035	0.043
H	1.5	1.75	2.0	0.059	0.069	0.079
J	6.7	7.0	7.3	0.264	0.276	0.287
K	0.8	0.9	1.0	0.031	0.035	0.039

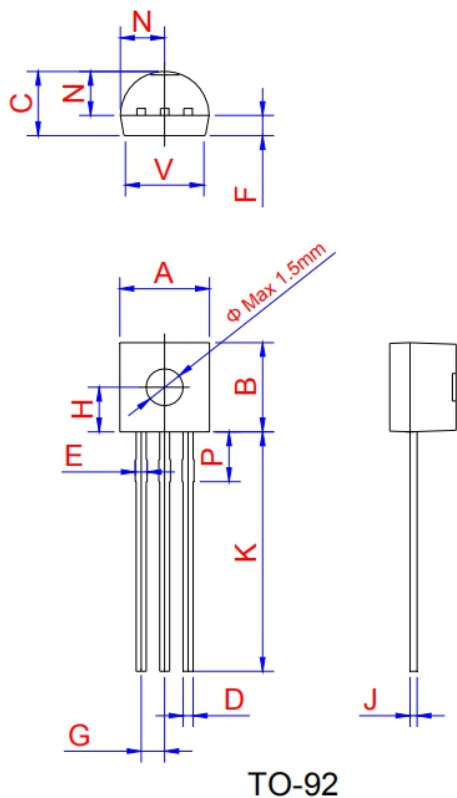


**SOT-89-3L**

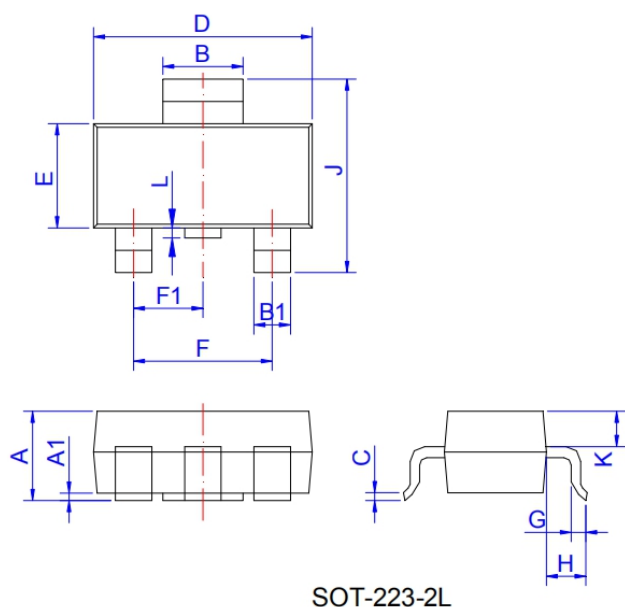
Ref.	Dimensions					
	Millimeters			Inches		
	Min.	Typ.	Max.	Min.	Typ.	Max.
A	1.4		1.6	0.055		0.063
b	0.35		0.52	0.013		0.197
b1	0.4		0.58	0.016		0.023
c	0.35		0.44	0.014		0.017
D	4.4		4.6	0.173		0.181
D1		1.55			0.061	
E	2.35		2.55	0.091		0.102
E1	3.94		4.25	0.155		0.167
e		1.500			0.060	
e1		3.000			0.118	
L	0.9		1.1	0.035		0.047



**BT131 Series 1A Triacs**



Ref.	Dimensions					
	Millimeters			Inches		
	Min.	Typ.	Max.	Min.	Typ.	Max.
A	4.45	4.6	5.2	0.175	0.181	0.205
B	4.32	4.6	5.33	0.17	0.181	0.21
C	3.18	3.55	4.19	0.125	0.14	0.165
D	0.407		0.533	0.016		0.021
E	0.6		0.8	0.024	0	0.031
F	-	1.1	-	-	0.043	-
G	-	1.27	-	-	0.05	-
H	-	2.3	-	-	0.091	-
J	0.36	0.38	0.5	0.014	0.015	0.02
K	12.7		15	0.5		0.591
N	2.04	2.3	2.66	0.08	0.091	0.105
P	1.86		2.06	0.073		0.081
V	-		4.3	-		0.169



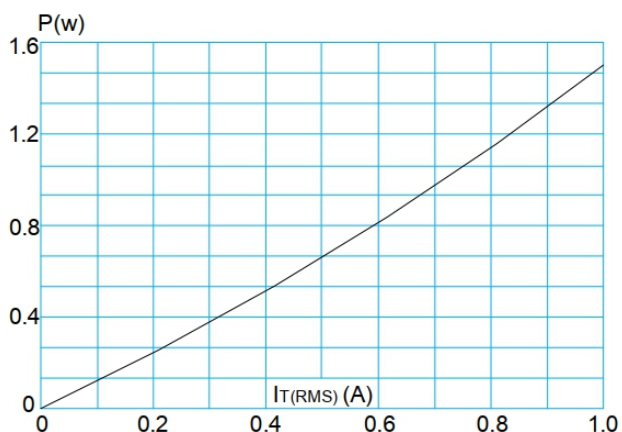
Ref.	Dimensions					
	Millimeters			Inches		
	Min.	Typ.	Max.	Min.	Typ.	Max.
A	1.5	1.6	1.8	0.059	0.063	0.071
A1	0.01	0.06	0.10	0.001	0.002	0.004
B	2.9	3.0	3.1	0.114	0.118	0.122
B1	0.6	0.7	0.8	0.024	0.028	0.031
C	0.22	0.26	0.32	0.009	0.010	0.013
D	6.3	6.5	6.7	0.248	0.256	0.264
E	3.3	3.5	3.7	0.130	0.138	0.146
F		4.6			0.181	
F1		2.3			0.091	
G	0.7	0.9	1.1	0.028	0.035	0.043
H	1.5	1.75	2	0.059	0.069	0.079
J	6.7	7.0	7.3	0.264	0.276	0.287
K		0.9			0.035	
L	0	0.1	0.2	0	0.004	0.008



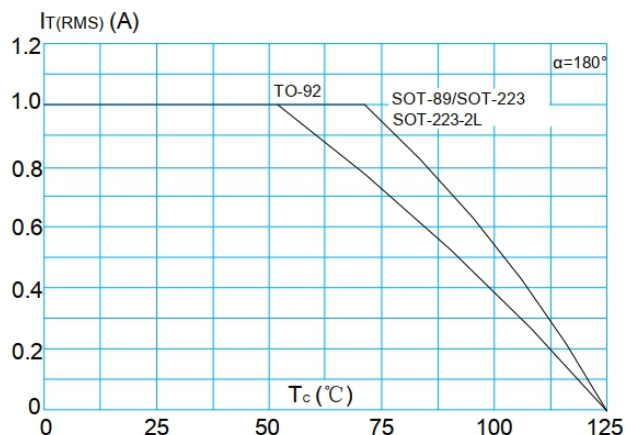
# Jiangsu Weida Semiconductor Co., Ltd.

## BT131 Series 1A Triacs

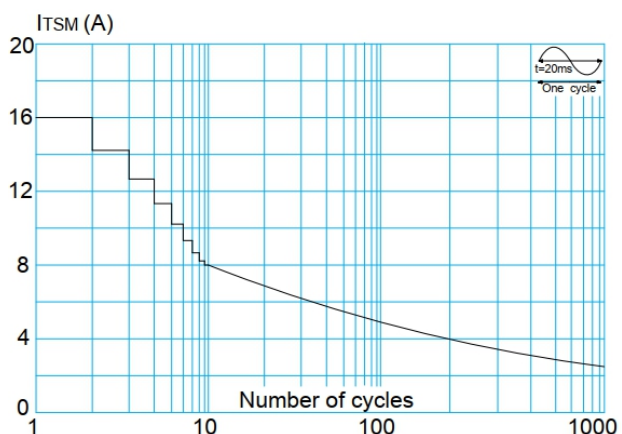
**FIG.1:** Maximum power dissipation versus RMS on-state current



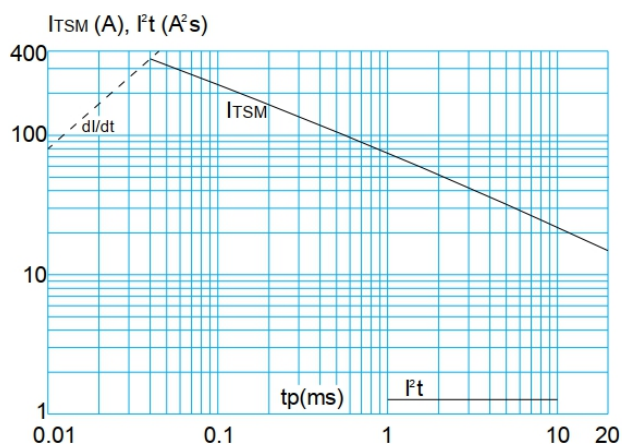
**FIG.2:** RMS on-state current versus case temperature



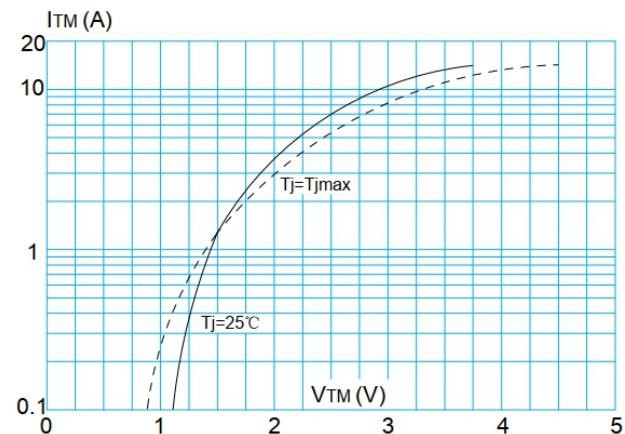
**FIG.3:** Surge peak on-state current versus number of cycles



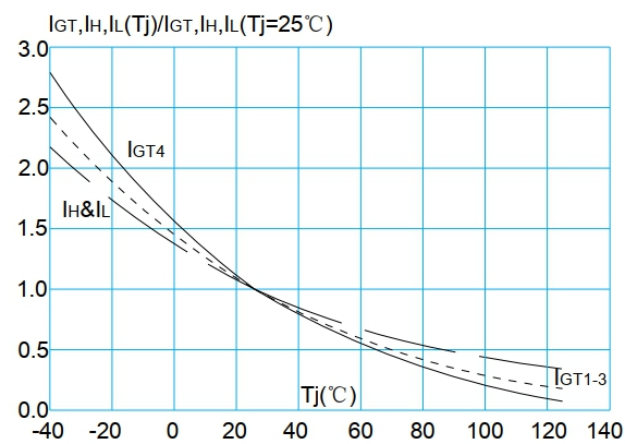
**FIG.5:** Non-repetitive surge peak on-state current for a sinusoidal pulse with width  $t_p < 20ms$ , and corresponding value of  $I^2 t$  ( $di/dt < 50A/\mu s$ )



**FIG.4:** On-state characteristics (maximum values)



**FIG.6:** Relative variations of gate trigger current, holding current and latching current versus junction temperature





**Jiangsu Weida Semiconductor Co., Ltd.**

**BT131 Series 1A Triacs**

---

Information furnished in this document is believed to be accurate and reliable. However, Jiangsu Weida Semiconductor Co., Ltd assumes no responsibility for the consequences of use without consideration for such information nor use beyond it.

Information mentioned in this document is subject to change without notice, apart from that when an agreement is signed, Jiangsu Weida Semiconductor Co., Ltd complies with the agreement.

Products and information provided in this document have no infringement of patents. Jiangsu Weida Semiconductor Co., Ltd assumes no responsibility for any infringement of other rights of third parties which may result from the use of such products and information.